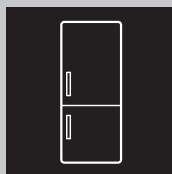


# GETTING STARTED? EASY.



ZRT27101WA

|           |                                |    |
|-----------|--------------------------------|----|
| <b>EN</b> | <b>User Manual</b>             | 2  |
|           | Fridge Freezer                 |    |
| <b>FR</b> | <b>Notice d'utilisation</b>    | 13 |
|           | Réfrigérateur/congélateur      |    |
| <b>PT</b> | <b>Manual de instruções</b>    | 25 |
|           | Combinado                      |    |
| <b>ES</b> | <b>Manual de instrucciones</b> | 37 |
|           | Frigorífico-congelador         |    |

# ZANUSSI

## SAFETY INFORMATION

---

Before the installation and use of the appliance, carefully read the supplied instructions. The manufacturer is not responsible for any injuries or damage that are the result of incorrect installation or usage. Always keep the instructions in a safe and accessible location for future reference.

### **CHILDREN AND VULNERABLE PEOPLE SAFETY**

- This appliance can be used by children aged from 8 years and above and persons with reduced physical, sensory or mental capabilities or lack of experience and knowledge if they have been given supervision or instruction concerning the use of the appliance in a safe way and understand the hazards involved.
- This appliance may be used by children between 3 and 8 years of age and persons with very extensive and complex disabilities, if they have been properly instructed.
- Children of less than 3 years of age should be kept away from the appliance unless continuously supervised.
- Do not let children play with the appliance.
- Children shall not carry out cleaning and user maintenance of the appliance without supervision.
- Keep all packaging away from children and dispose of it appropriately.

### **GENERAL SAFETY**

- This appliance is intended to be used in household and similar applications such as:
  - Farm houses; staff kitchen areas in shops, offices and other working environments
  - By clients in hotels, motels, bed and breakfast and other residential type environments
- **WARNING:** Keep ventilation openings, in the appliance enclosure or in the built-in structure, clear of obstruction.
- **WARNING:** Do not use mechanical devices or other means to accelerate the defrosting process, other than those recommended by the manufacturer.

- **WARNING:** Do not damage the refrigerant circuit.
- **WARNING:** Do not use electrical appliances inside the food storage compartments of the appliance, unless they are of the type recommended by the manufacturer.
- Do not use water spray and steam to clean the appliance.
- Clean the appliance with a moist soft cloth. Only use neutral detergents. Do not use abrasive products, abrasive cleaning pads, solvents or metal objects.
- Do not store explosive substances such as aerosol cans with a flammable propellant in this appliance.
- If the supply cord is damaged, it must be replaced by the manufacturer, its Authorised Service Centre or similarly qualified persons in order to avoid a hazard.

## SAFETY INSTRUCTIONS

---

### INSTALLATION



**WARNING!** Only a qualified person must install this appliance.

- Remove all the packaging.
- Do not install or use a damaged appliance.
- Follow the installation instructions supplied with the appliance.
- Always take care when moving the appliance as it is heavy. Always use safety gloves and enclosed footwear.
- Make sure the air can circulate around the appliance.
- At first installation or after reversing the door wait at least 4 hours before connecting the appliance to the power supply. This is to allow the oil to flow back in the compressor.
- Before carrying out any operations on the appliance (e.g. reversing the door), remove the plug from the power socket.
- Do not install the appliance close to radiators or cookers, ovens or hobs.
- Do not expose the appliance to the rain.
- Do not install the appliance where there is direct sunlight.
- Do not install this appliance in areas that are too humid or too cold.
- When you move the appliance, lift it by the front edge to avoid scratching the floor.

### ELECTRICAL CONNECTION



**WARNING!** Risk of fire and electric shock.



**WARNING!** When positioning the appliance, ensure the supply cord is not trapped or damaged.



**WARNING!** Do not use multi-plug adapters and extension cables.

- The appliance must be earthed.
- Make sure that the parameters on the rating plate are compatible with the electrical ratings of the mains power supply.
- Always use a correctly installed shockproof socket.
- Make sure not to cause damage to the electrical components (e.g. mains plug, mains cable, compressor). Contact the Authorised Service Centre or an electrician to change the electrical components.
- The mains cable must stay below the level of the mains plug.
- Connect the mains plug to the mains socket only at the end of the installation. Make sure that there is access to the mains plug after the installation.
- Do not pull the mains cable to disconnect the appliance. Always pull the mains plug.

## USE



**WARNING!** Risk of injury, burns, electric shock or fire.



The appliance contains flammable gas, isobutane (R600a), a natural gas with a high level of environmental compatibility. Be careful not to cause damage to the refrigerant circuit containing isobutane.

- Do not change the specification of this appliance.
- Do not put electrical appliances (e.g. ice cream makers) in the appliance unless they are stated applicable by the manufacturer.
- If damage occurs to the refrigerant circuit, make sure that there are no flames and sources of ignition in the room. Ventilate the room.
- Do not let hot items to touch the plastic parts of the appliance.
- Do not put soft drinks in the freezer compartment. This will create pressure on the drink container.
- Do not store flammable gas and liquid in the appliance.
- Do not put flammable products or items that are wet with flammable products in, near or on the appliance.
- Do not touch the compressor or the condenser. They are hot.
- Do not remove or touch items from the freezer compartment if your hands are wet or damp.
- Do not freeze again food that has been thawed.
- Follow the storage instructions on the packaging of frozen food.
- Wrap the food in any food contact material before putting it in the freezer compartment.

## INTERNAL LIGHTING



**WARNING!** Risk of electric shock.

## INSTALLATION



**WARNING!** Refer to Safety chapters.

## POSITIONING

Install the appliance in a dry, well ventilated indoors where the ambient temperature corresponds to the climate class indicated on the rating plate of the appliance.

- The type of lamp used for this appliance is for household appliances only. Do not use it for house lighting.

## CARE AND CLEANING



**WARNING!** Risk of injury or damage to the appliance.

- Before maintenance, deactivate the appliance and disconnect the mains plug from the mains socket.
- This appliance contains hydrocarbons in the cooling unit. Only a qualified person must do the maintenance and the recharging of the unit.
- Regularly examine the drain of the appliance and if necessary, clean it. If the drain is blocked, defrosted water collects in the bottom of the appliance.

## SERVICE

- To repair the appliance contact the Authorised Service Centre.
- Use original spare parts only.

## DISPOSAL



**WARNING!** Risk of injury or suffocation.

- Disconnect the appliance from the mains supply.
- Cut off the mains cable and discard it.
- Remove the door to prevent children and pets to be closed inside of the appliance.
- The refrigerant circuit and the insulation materials of this appliance are ozone-friendly.
- The insulation foam contains flammable gas. Contact your municipal authority for information on how to discard the appliance correctly.
- Do not cause damage to the part of the cooling unit that is near the heat exchanger.

| Climate class | Ambient temperature |
|---------------|---------------------|
| SN            | +10°C to +32°C      |
| N             | +16°C to +32°C      |

| Climate class | Ambient temperature |
|---------------|---------------------|
| ST            | +16°C to +38°C      |
| T             | +16°C to +43°C      |



Some functional problems might occur for some types of models when operating outside of that range. The correct operation can only be guaranteed within the specified temperature range. If you have any doubts regarding where to install the appliance, please turn to the vendor, to our customer service or to the nearest Authorised Service Centre.

## LOCATION



Refer to the assembly instructions for the installation.

## OPERATION

### SWITCHING ON

Insert the electrical plug into a wall socket. Turn the temperature regulator clockwise to a medium setting.

### SWITCHING OFF

To turn off the appliance, turn the temperature regulator to the "O" position.

### TEMPERATURE REGULATION

The temperature is regulated automatically. However, you can set a temperature inside the appliance yourself.

Choose the setting keeping in mind that the temperature inside the appliance depends on:

To ensure best performance, install the appliance well away from sources of heat such as radiators, boilers, direct sunlight etc. Make sure that air can circulate freely around the back of the cabinet.

### ELECTRICAL CONNECTION

- Before plugging in, ensure that the voltage and frequency shown on the rating plate correspond to your domestic power supply.
- The appliance must be earthed. The power supply cable plug is provided with a contact for this purpose. If the domestic power supply socket is not earthed, connect the appliance to a separate earth in compliance with current regulations, consulting a qualified electrician.
- The manufacturer declines all responsibility if the above safety precautions are not observed.
- This appliance complies with the E.E.C. Directives.

- room temperature,
- frequency of opening the door,
- quantity of food stored,
- appliance location.

A medium setting is generally the most suitable one.

To operate the appliance:

1. Turn the temperature regulator clockwise to obtain a lower temperature inside the appliance.
2. Turn the temperature regulator counterclockwise to obtain a higher temperature inside the appliance.

## DAILY USE



**WARNING!** Refer to Safety chapters.

### FREEZING FRESH FOOD

The freezer compartment is suitable for freezing fresh food and storing frozen and deep-frozen food for a long time.

To freeze fresh foods it is not necessary to change the medium setting.

However, for a faster freezing operation, turn the temperature regulator toward higher settings to obtain the maximum coldness.



**CAUTION!** In this condition, the refrigerator compartment temperature might drop below 0°C. If this occurs reset the temperature regulator to a warmer setting.

### STORAGE OF FROZEN FOOD

When first starting-up or after a period out of use, before putting the products in the compartment let the appliance run at least 2 hours on the higher settings.



In the event of accidental defrosting, for example due to a power failure, if the power has been off for longer than the value shown in the technical characteristics chart under "rising time", the defrosted food must be consumed quickly or cooked immediately and then re-frozen (after cooling).

### THAWING

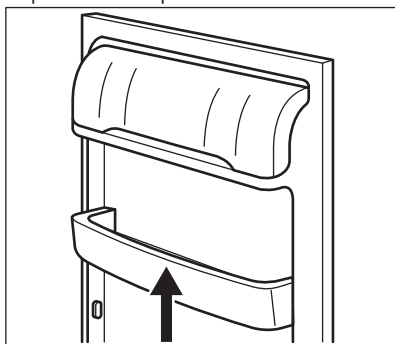
Deep-frozen or frozen food, prior to being used, can be thawed in the refrigerator compartment or at room temperature, depending on the time available for this operation.

Small pieces may even be cooked still frozen, directly from the freezer: in this case, cooking will take longer.

### POSITIONING THE DOOR SHELVES

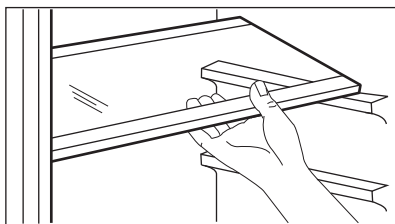
To permit storage of food packages of various sizes, the door shelves can be placed at different heights.

1. Gradually pull the shelf up until it comes free.
2. Reposition as required.



### MOVABLE SHELVES

The walls of the refrigerator are equipped with a series of runners so that the shelves can be positioned as desired.



Do not move the glass shelf above the vegetable drawer to ensure correct air circulation.

## HINTS AND TIPS

### NORMAL OPERATING SOUNDS

The following sounds are normal during operation:

- A faint gurgling and bubbling sound from coils sound when refrigerant is pumped.
- A whirring and pulsating sound from the compressor when refrigerant is pumped.
- A sudden cracking noise from inside appliance caused by thermic dilatation (a natural and not dangerous physical phenomenon).
- A faint click noise from the temperature regulator when the compressor switches on or off.

### HINTS FOR ENERGY SAVING

- Do not open the door frequently or leave it open longer than absolutely necessary.

### HINTS FOR FRESH FOOD REFRIGERATION

- Do not store warm food or evaporating liquids in the refrigerator.
- Cover or wrap the food, particularly if it has a strong flavour.
- Position food so that air can circulate freely around it.

### HINTS FOR REFRIGERATION

Useful hints:

- Meat (all types): wrap in a suitable packaging and place it on the glass shelf above the vegetable drawer. Store meat for at most 1-2 days.
- Cooked foods, cold dishes: cover and place on any shelf.

- Fruit and vegetables: clean thoroughly and place in a special drawer. Bananas, potatoes, onions and garlic must not be kept in the refrigerator if not packed.
- Butter and cheese: place in a special airtight container or wrap in an aluminium foil or a polythene bag to exclude as much air as possible.
- Bottles: close with a cap and place on the door bottle shelf, or (if available) on the bottle rack.
- Lean foods store better and longer than fatty ones. Salt reduces the storage life of food.
- Do not eat ice cubes, water ices or ice lollies immediately after taking them out of the freezer. Risk of frostbites.
- It is advisable to show the freezing date on each individual pack to enable you to keep tab of the storage time.

### HINTS FOR FREEZING

- Freeze only top quality, fresh and thoroughly cleaned food products.
- For more efficient freezing and thawing divide food into small portions.
- Wrap the food in aluminium foil or polythene. Make sure that the packages are airtight.
- To avoid increase in temperature of already frozen food, do not place fresh unfrozen food directly next to it.

### HINTS FOR STORAGE OF FROZEN FOOD

- Make sure that the commercially frozen food products were adequately stored by the retailer.
- Make sure that frozen foodstuffs are transferred from the food store to the freezer in the shortest possible time.
- Once defrosted, food deteriorates rapidly and cannot be refrozen.
- Do not exceed the storage period indicated by the food manufacturer.

## CARE AND CLEANING



**WARNING!** Refer to Safety chapters.

### GENERAL WARNINGS



**CAUTION!** Unplug the appliance before carrying out any maintenance operation.



This appliance contains hydrocarbons in its cooling unit; maintenance and recharging must therefore only be carried out by authorized technicians.



The accessories and parts of the appliance are not suitable for washing in a dishwasher.

### CLEANING THE INTERIOR

Before using the appliance for the first time, the interior and all internal accessories should be washed with lukewarm water and some neutral soap to remove the typical smell of a brand-new product, then dried thoroughly.



**CAUTION!** Do not use detergents, abrasive powders, chlorine or oil-based cleaners as they will damage the finish.

### PERIODIC CLEANING



**CAUTION!** Do not pull, move or damage any pipes and/or cables inside the appliance.



**CAUTION!** Do not damage the cooling system.

The equipment has to be cleaned regularly:

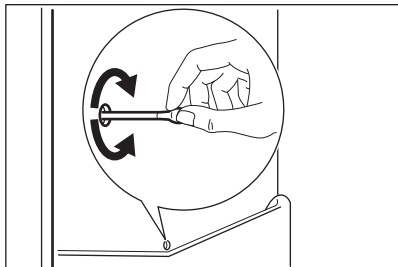
1. Clean the inside and accessories with lukewarm water and some neutral soap.
2. Regularly check the door seals and wipe them clean to ensure they are clean and free from debris.
3. Rinse and dry thoroughly.
4. If accessible, clean the condenser and the compressor at the back of the appliance with a brush.  
This will improve the performance of the appliance and save electricity consumption.

### DEFROSTING OF THE REFRIGERATOR

Frost is automatically eliminated from the evaporator of the refrigerator compartment every time the motor compressor stops, during normal use. The defrost water drains out through a trough into a special container at the back of the appliance, over the motor compressor, where it evaporates.

It is important to periodically clean the defrost water drain hole in the middle of the refrigerator

compartment channel to prevent the water overflowing and dripping onto the food inside.



## DEFROSTING OF THE FREEZER



**CAUTION!** Never use sharp metal tools to scrape off frost from the evaporator as you could damage it. Do not use a mechanical device or any artificial means to speed up the thawing process other than those recommended by the manufacturer. A temperature rise of the frozen food packs, during defrosting, may shorten their safe storage life.



About 12 hours prior to defrosting, set a lower temperature, in order to build up sufficient chill reserve for the interruption in operation.

A certain amount of frost will always form on the freezer shelves and around the top compartment. Defrost the freezer when the frost layer reaches a thickness of about 3-5 mm.

1. Switch off the appliance, or pull out electrical plug from the wall socket.
2. Remove any stored food, wrap it in several layers of newspaper and put it in a cool place.



**WARNING!** Do not touch frozen goods with wet hands. Hands can freeze to the goods.

3. Leave the door open.  
In order to speed up the defrosting process, place a pot of warm water in the freezer compartment. In addition, remove pieces of ice that break away before defrosting is complete.
4. When defrosting is completed, dry the interior thoroughly.
5. Switch on the appliance.

After three hours reload the previously removed food into the freezer compartment.

## PERIODS OF NON-OPERATION

When the appliance is not in use for long periods, take the following precautions:

1. Disconnect the appliance from electricity supply.
2. Remove all food.
3. Defrost the appliance (if necessary).
4. Clean the appliance and all accessories.
5. Leave the door/doors open to prevent unpleasant smells.



**CAUTION!** If you want to keep the appliance switched on, ask somebody to check it once in a while to prevent the food inside from spoiling in case of a power failure.

## TROUBLESHOOTING



**WARNING!** Refer to Safety chapters.

### WHAT TO DO IF...

| Problem                         | Possible cause   | Solution  |
|---------------------------------|--|---|
| The appliance does not operate. | The appliance is switched off.                                 | Switch on the appliance.                              |
|                                 | The mains plug is not connected to the mains socket correctly. | Connect the mains plug to the mains socket correctly. |



| <b>Problem</b>  | <b>Possible cause</b>   | <b>Solution</b>  |
|---|---|--|
|   | There is no voltage in the mains socket.  | Connect a different electrical appliance to the mains socket. Contact a qualified electrician. |
| The appliance is noisy.                               | The appliance is not supported properly.  | Check if the appliance stands stable.  |
| The lamp does not work.                               | The lamp is in stand-by.  | Close and open the door.   |
|   | The lamp is defective.  | Refer to "Replacing the lamp".   |
| The compressor operates continually.                  | Temperature is set incorrectly.   | Refer to "Operation" chapter.  |
|   | Many food products to be frozen were put in at the same time.                           | Wait a few hours and then check the temperature again.   |
|   | The room temperature is too high.   | Refer to climate class chart on the rating plate.  |
|   | Food products placed in the appliance were too warm.                                    | Allow food products to cool to room temperature before storing.                                |
|   | The door is not closed correctly.   | Refer to "Closing the door".   |
| There is too much frost and ice.                      | The door is not closed correctly or the gasket is deformed/ dirty.                      | Refer to "Closing the door".   |
|   | The water drainage plug is not correctly positioned.                                    | Position the water drainage plug in the correct way.   |
|   | Food products are not wrapped properly.   | Wrap the food products better.   |
|   | Temperature is set incorrectly.   | Refer to "Operation" chapter.  |
| Water flows on the rear plate of the refrigerator.    | During the automatic defrosting process, frost melts on the rear plate.                 | This is correct.   |
| Water flows into the refrigerator.                    | The water outlet is clogged.  | Clean the water outlet.  |
|   | Food products prevent that water flows into the water collector.                        | Make sure that food products do not touch the rear plate.                                      |
| Water flows on the floor.                             | The melting water outlet is not connected to the evaporative tray above the compressor. | Attach the melting water outlet to the evaporative tray.                                       |
| The temperature in the appliance is too low/too high. | The temperature regulator is not set correctly.   | Set a higher/lower temperature.  |

| <b>Problem</b>  | <b>Possible cause</b>  | <b>Solution</b>  |
|---|--|--|
|   | The door is not closed correctly.  | Refer to "Closing the door".   |
|   | The food products' temperature is too high.  | Let the food products temperature decrease to room temperature before storage.       |
|   | Many food products are stored at the same time.                                    | Store less food products at the same time.   |
|   | The thickness of the frost is greater than 4-5 mm.                                 | Defrost the appliance.   |
|   | The door has been opened often.  | Open the door only if necessary.   |
|   | There is no cold air circulation in the appliance.                                 | Make sure that there is cold air circulation in the appliance.                       |
| There is too much condensed water on the rear wall of the refrigerator. | Door was opened too frequently.  | Open the door only when necessary.   |
|   | Door was not closed completely.  | Make sure the door is closed completely.   |
|   | Stored food was not wrapped.   | Wrap food in suitable packaging before storing it in the appliance.                  |
| There is frost on the rear wall of the refrigerator.                    | The ambient temperature is high and the appliance is set to the lowest temperature | Set the temperature regulator to a higher temperature to allow automatic defrosting. |
|   | The appliance is fully loaded and is set to the lowest temperature.                | Set the temperature regulator to a higher temperature to allow automatic defrosting. |
| Door does not open easily.  | You attempted to re-open the door immediately after closing.                       | Wait a few seconds between closing and re-opening of the door.                       |



If the advice does not lead to the desired result, call the nearest Authorized Service Centre.



Use LED bulbs (E14 base) only. The maximum power is shown on the lamp unit.

## REPLACING THE LAMP



The appliance is equipped with a long-life LED interior light.

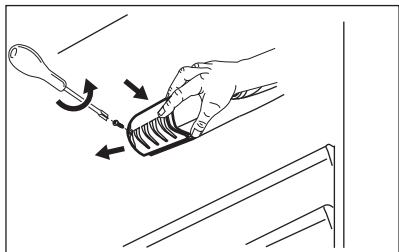


It is strongly recommended to use original spare parts only.



**CAUTION!** Disconnect the plug from the mains socket.

1. Using a screwdriver, remove the screw from the lamp cover.
2. Detach the lamp cover in the direction of the arrows.



3. Replace the lamp with the one that has identical characteristics and is specifically designed for household appliances.

4. Reassemble the lamp cover.
5. Tighten the screw to the lamp cover.
6. Connect the plug to the mains socket.
7. Open the door.  
Make sure that the light switches on.

#### CLOSING THE DOOR

1. Clean the door gaskets.
2. If necessary, adjust the door. Refer to assembly instructions.
3. If necessary, replace the defective door gaskets. Contact the Authorised Service Centre.

## TECHNICAL DATA

### PRODUCT INFORMATION SHEET

|   |                         |
|---|-------------------------|
| Trade Mark  | Zanussi                 |
| Model   | ZRT27101WA 920241103    |
| Category  | 7. Refrigerator-freezer |
| Energy efficiency class   | A+                      |
| Energy consumption in kWh per year, based on standard test results for 24 hours. The actual energy consumption will depend on how the appliance is used and where it is located | 240                     |
| Storage volume in litres, Fridge  | 209                     |
| Storage volume in litres, Star  | -                       |
| Storage volume in litres, Cellar zone   | -                       |
| Storage volume in litres, Wine  | -                       |
| Storage volume in litres, Total   | 259                     |
| Storage volume in litres, Freezer   | 50                      |
| Storage volume in litres, Chiller   | -                       |
| Storage volume in litres, Other compartments  | -                       |
| Star rating of freezer compartment with highest storage volume (l)  | ****                    |
| Design temperature of other compartments > 14 °C (°C), if any   | -                       |
| Frost free (Y/N), Fridge  | No                      |
| Frost free (Y/N), Freezer   | No                      |
| Power cut safe in h   | 20                      |
| Freezing capacity in kg/24h   | 4                       |
| Climate class   | SN-N-ST                 |

|   |    |
|---|----|
| Lowest ambient temperature at which this appliance is intended to be used, in °C  | 10 |
| Highest ambient temperature at which this appliance is intended to be used, in °C | 38 |
| Acoustical noise emissions dB(A) re1 pW   | 40 |
| Built in appliance Y/N  | No |
| This appliance is intended to be used exclusively for the storage of wine Y/N     | No |


### ADDITIONAL TECHNICAL DATA


|                             |         |
|-----------------------------|---------|
| Dimensions of the appliance |         |
| Height                      | 1590 mm |
| Width                       | 545 mm  |
| Depth                       | 604 mm  |

|           |             |
|-----------|-------------|
| Voltage   | 230 - 240 V |
| Frequency | 50 Hz       |

The technical information is situated in the rating plate, on the external or internal side of the appliance and on the energy label.

## ENVIRONMENTAL CONCERNS

Recycle materials with the symbol . Put the packaging in relevant containers to recycle it. Help protect the environment and human health by recycling waste of electrical and electronic appliances. Do not dispose of appliances marked

with the symbol  with the household waste. Return the product to your local recycling facility or contact your municipal office.

## **INFORMATIONS DE SÉCURITÉ**

---

Avant d'installer et d'utiliser cet appareil, lisez soigneusement les instructions fournies. Le fabricant ne pourra être tenu pour responsable des blessures et dégâts résultant d'une mauvaise installation ou utilisation. Conservez toujours les instructions dans un lieu sûr et accessible pour vous y référer ultérieurement.

### **SÉCURITÉ DES ENFANTS ET DES PERSONNES VULNÉRABLES**

- Cet appareil peut être utilisé par des enfants de plus de 8 ans, ainsi que des personnes dont les capacités physiques, sensorielles et mentales sont réduites ou dont les connaissances et l'expérience sont insuffisantes, à condition d'être surveillés ou d'avoir reçu des instructions concernant l'utilisation sécurisée de l'appareil et de comprendre les risques encourus.
- Cet appareil peut être utilisé par des enfants entre 3 et 8 ans et des personnes ayant un handicap très important et complexe à condition d'avoir reçu de bonnes instructions.
- Les enfants de moins de 3 ans doivent être tenus à l'écart de l'appareil, à moins d'être surveillés en permanence.
- Ne laissez pas les enfants jouer avec l'appareil.
- Les enfants ne doivent pas nettoyer ni entreprendre une opération de maintenance sur l'appareil sans surveillance.
- Ne laissez pas les emballages à la portée des enfants et jetez-les convenablement.

### **SÉCURITÉ GÉNÉRALE**

- Cet appareil est conçu uniquement pour un usage domestique et des situations telles que :
  - dans des fermes, des coins cuisines réservés au personnel dans des magasins, bureaux et autres
  - l'utilisation par les clients des hôtels, motels, des environnements du type chambres d'hôtes et autres environnements à caractère résidentiel

- **AVERTISSEMENT** : Veillez à ce que les orifices de ventilation, situés dans l'enceinte de l'appareil ou dans la structure intégrée, ne soient pas obstrués.
- **AVERTISSEMENT** : N'utilisez aucun dispositif mécanique ou autre appareil pour accélérer le processus de dégivrage que ceux recommandés par le fabricant.
- **AVERTISSEMENT** : N'endommagez pas le circuit frigorifique.
- **AVERTISSEMENT** : N'utilisez pas d'appareils électriques à l'intérieur des compartiments de conservation des aliments de l'appareil, sauf s'ils sont du type recommandé par le fabricant.
- Ne pulvérisez pas d'eau ni de vapeur pour nettoyer l'appareil.
- Nettoyez l'appareil avec un chiffon doux humide. Utilisez uniquement des produits de lavage neutres. N'utilisez pas de produits abrasifs, de tampons à récurer, de solvants ni d'objets métalliques.
- Ne conservez aucune substance explosive dans cet appareil, comme des aérosols contenant un produit inflammable.
- Si le câble d'alimentation est endommagé, il doit être remplacé par le fabricant, son service après-vente ou des personnes de qualification similaire afin d'éviter un danger.

## CONSIGNES DE SÉCURITÉ

---

### INSTALLATION



**AVERTISSEMENT!** L'appareil doit être installé uniquement par un professionnel qualifié.

- Retirez l'intégralité de l'emballage.
- N'installez pas et ne branchez pas un appareil endommagé.
- Suivez scrupuleusement les instructions d'installation fournies avec l'appareil.
- Soyez toujours vigilants lorsque vous déplacez l'appareil car il est lourd. Utilisez toujours des gants de sécurité et des chaussures fermées.
- Assurez-vous que l'air circule autour de l'appareil.
- Lors de la première installation ou après avoir inversé la porte, attendez au moins 4 heures avant de brancher l'appareil sur le secteur. Cela permet à l'huile de refouler dans le compresseur.

- Avant toute opération sur l'appareil (par ex. inversion de la porte), débranchez la fiche de la prise de courant.
- N'installez pas l'appareil à proximité d'un radiateur, d'une cuisinière, d'un four ou d'une table de cuisson.
- N'exposez pas l'appareil à la pluie.
- N'installez pas l'appareil dans un endroit exposé à la lumière directe du soleil.
- N'installez pas l'appareil dans une pièce trop humide ou trop froide.
- Lorsque vous déplacez l'appareil, veillez à le soulever par l'avant pour éviter de rayer le sol.

### BRANCHEMENT ÉLECTRIQUE



**AVERTISSEMENT!** Risque d'incendie ou d'électrocution.



**AVERTISSEMENT!** Lorsque vous installez l'appareil, assurez-vous que le câble d'alimentation n'est pas coincé ou endommagé.



**AVERTISSEMENT!** N'utilisez pas d'adaptateurs multiprises ni de rallonges.

- L'appareil doit être relié à la terre.
- Vérifiez que les paramètres figurant sur la plaque signalétique correspondent aux données électriques de votre réseau.
- Utilisez une prise correctement installée et protégée contre les chocs.
- Veillez à ne pas endommager les composants électriques tels que la fiche secteur, le câble d'alimentation ou le compresseur. Contactez le service après-vente agréé ou un électricien pour changer les composants électriques.
- Le câble d'alimentation doit rester en dessous du niveau de la fiche secteur.
- Ne branchez la fiche d'alimentation à la prise de courant qu'à la fin de l'installation. Assurez-vous que la prise principale est accessible une fois l'appareil installé.
- Ne tirez jamais sur le câble d'alimentation électrique pour débrancher l'appareil. Tirez toujours sur la fiche de la prise secteur.

## UTILISATION



**AVERTISSEMENT!** Risque de blessures, de brûlures, d'électrocution ou d'incendie.



L'appareil contient un gaz inflammable, l'isobutane (R600a), un gaz naturel ayant un niveau élevé de compatibilité environnementale. Veillez à ne pas endommager le circuit frigorifique contenant de l'isobutane.

- Ne modifiez pas les caractéristiques de cet appareil.
- Ne placez aucun appareil électrique (sorbetière, etc.) dans l'appareil, en l'absence d'indications du fabricant.
- Si le circuit frigorifique est endommagé, assurez-vous de l'absence de flammes et de sources d'ignition dans la pièce. Aérez la pièce.
- Évitez tout contact d'éléments chauds avec les parties en plastique de l'appareil.
- Ne placez jamais de boissons gazeuses dans le congélateur. Cela engendrerait une pression sur le récipient de la boisson.

- Ne stockez jamais de gaz ou de liquide inflammable dans l'appareil.
- Ne placez pas de produits inflammables ou d'éléments imbibés de produits inflammables à l'intérieur ou à proximité de l'appareil, ni sur celui-ci.
- Ne touchez pas le compresseur ni le condenseur. Ils sont chauds.
- Ne retirez pas et ne touchez pas les éléments du compartiment congélateur avec les mains mouillées ou humides.
- Ne recongelez jamais un aliment qui a été décongelé.
- Respectez les instructions de stockage figurant sur l'emballage des aliments surgelés.
- Emballez les aliments dans un emballage adapté au contact avec des aliments avant de les placer dans le compartiment congélateur.

## ÉCLAIRAGE INTÉRIEUR



**AVERTISSEMENT!** Risque d'électrocution !

- Le type d'ampoule utilisé pour cet appareil est uniquement destiné aux appareils domestiques. Ne l'utilisez pas pour éclairer votre logement.

## ENTRETIEN ET NETTOYAGE



**AVERTISSEMENT!** Risque de blessure corporelle ou de dommages matériels.

- Avant toute opération d'entretien, éteignez l'appareil et débranchez la fiche de la prise secteur.
- Cet appareil contient des hydrocarbures dans son circuit de réfrigération. L'entretien et la recharge du circuit de réfrigération doivent être effectués par un professionnel qualifié.
- Examinez régulièrement l'écoulement de l'appareil et si nécessaire, nettoyez-le. Si l'orifice est bouché, l'eau provenant du dégivrage s'écoulera en bas de l'appareil.

## MAINTENANCE

- Pour réparer l'appareil, contactez un service après-vente agréé.
- Utilisez exclusivement des pièces d'origine.

## MISE AU REBUT



**AVERTISSEMENT!** Risque de blessure ou d'asphyxie.

- Débranchez l'appareil de l'alimentation électrique.

- Coupez le câble d'alimentation et mettez-le au rebut.
- Retirez la porte pour empêcher les enfants et les animaux de s'enfermer dans l'appareil.
- Le circuit frigorifique et les matériaux d'isolation de cet appareil préservent la couche d'ozone.
- La mousse isolante contient un gaz inflammable. Contactez votre service municipal pour obtenir

des informations sur la marche à suivre pour mettre l'appareil au rebut.

- N'endommagez pas la partie du circuit de réfrigération située à proximité du condenseur thermique.

## INSTALLATION



**AVERTISSEMENT!** Reportez-vous aux chapitres concernant la sécurité.

### POSITIONNEMENT

Installez cet appareil dans une pièce intérieure sèche et bien ventilée où la température ambiante correspond à la classe climatique indiquée sur la plaque signalétique de l'appareil.

| Classe climatique | Température ambiante |
|-------------------|----------------------|
| SN                | +10 °C à +32 °C      |
| N                 | +16 °C à + 32 °C     |
| ST                | +16 °C à + 38 °C     |
| T                 | +16 °C à + 43 °C     |



Des problèmes fonctionnels peuvent survenir sur certains types de modèles fonctionnant hors de cette plage de températures. Seul le respect de la plage de températures spécifiée peut garantir un bon fonctionnement de l'appareil. En cas de doute concernant l'emplacement d'installation de l'appareil, veuillez contacter le vendeur, notre service après-vente ou le centre de réparation agréé le plus proche.

### EMPLACEMENT



Consultez la notice de montage lors de l'installation.

Pour assurer des performances optimales, l'appareil ne doit pas être installé près d'une source de chaleur telle qu'un radiateur, une chaudière, la lumière directe du soleil, etc. Assurez-vous que l'air circule librement à l'arrière de l'appareil.

### BRANCHEMENT ÉLECTRIQUE

- Avant de brancher l'appareil, assurez-vous que la tension et la fréquence indiquées sur la plaque signalétique correspondent à celles de votre réseau électrique domestique.
- L'appareil doit être relié à la terre. La fiche du cordon d'alimentation est fournie avec un contact à cette fin. Si la prise de courant n'est pas mise à la terre, branchez l'appareil à une mise à la terre séparée conformément aux réglementations en vigueur, en consultant un électricien spécialisé.
- Le fabricant décline toute responsabilité en cas de non-respect de ces consignes de sécurité.
- Cet appareil est conforme aux directives CEE.

## FONCTIONNEMENT

### MISE EN MARCHÉ

Insérez la fiche dans la prise murale.

Tournez le thermostat vers la droite sur une position médiane.

### MISE À L'ARRÊT

Pour éteindre l'appareil, tournez le thermostat sur la position « O ».

### RÉGLAGE DE LA TEMPÉRATURE

La température est régulée automatiquement. Cependant, vous pouvez choisir vous-même la température à l'intérieur de l'appareil.

Choisissez le réglage en tenant compte du fait que la température à l'intérieur de l'appareil dépend de plusieurs facteurs :

- la température ambiante,



- la fréquence d'ouverture de la porte
- la quantité de denrées entreposées,
- l'emplacement de l'appareil.

Un réglage intermédiaire est généralement le plus indiqué.

Pour faire fonctionner l'appareil :

1. Tournez le thermostat vers la droite pour faire baisser la température à l'intérieur de l'appareil.
2. Tournez le thermostat vers la gauche pour remonter la température à l'intérieur de l'appareil.

## UTILISATION QUOTIDIENNE



**AVERTISSEMENT!** Reportez-vous aux chapitres concernant la sécurité.

### CONGÉLATION D'ALIMENTS FRAIS

Le compartiment congélateur est idéal pour congeler des aliments frais et conserver longtemps des aliments congelés ou surgelés.

Pour congeler des aliments frais, il n'est pas nécessaire de modifier le réglage moyen.

Toutefois, pour une congélation plus rapide, tournez le thermostat sur la position maximale pour obtenir plus de froid.



**ATTENTION!** Dans ce cas, la température du compartiment réfrigérateur est susceptible de descendre en dessous de 0 °C. Si cela se produit, repositionnez le thermostat sur une position inférieure pour obtenir moins de froid.

### CONSERVATION D'ALIMENTS CONGELÉS ET SURGELÉS

À la mise en service ou après un arrêt prolongé, placez le thermostat sur la position maximale pendant 2 heures environ avant d'introduire les produits dans le compartiment.



En cas de décongélation accidentelle, due par exemple à une coupure de courant, si la coupure a duré plus de temps qu'indiqué au paragraphe « Autonomie de fonctionnement » du chapitre Caractéristiques techniques, consommez rapidement les aliments décongelés ou cuisez-les immédiatement avant de les recongeler (une fois refroidis).

### DÉCONGÉLATION

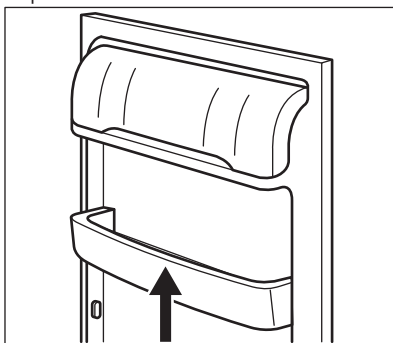
Avant utilisation, les aliments surgelés ou congelés peuvent être décongelés dans le compartiment réfrigérateur ou à température ambiante en fonction du temps disponible pour cette opération.

Les petites portions peuvent même être cuites sans décongélation préalable ; la cuisson sera cependant un peu plus longue.

### MISE EN PLACE DES BALCONNETS DE LA PORTE

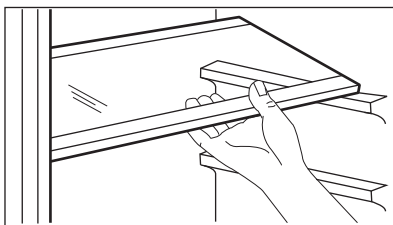
En fonction de la taille des emballages des aliments conservés, les balconnets de la porte peuvent être positionnés à différentes hauteurs.

1. Soulevez doucement le balconnet jusqu'à ce qu'il se détache.
2. Repositionnez-le selon les besoins.



### CLAYETTES AMOVIBLES

Les parois du réfrigérateur sont équipées d'une série de glissières afin que les clayettes puissent être positionnées comme vous le souhaitez.





Ne modifiez pas l'emplacement de la clayette en verre située au-dessus du bac à légumes, afin de garantir une circulation d'air optimale.

## CONSEILS

---

### BRUITS NORMAUX DE FONCTIONNEMENT

Les bruits suivants sont normaux lorsque l'appareil est en cours de fonctionnement :

- Un léger gargouillis lorsque le liquide réfrigérant est pompé.
- Un ronronnement et un bruit de pulsation provenant du compresseur lorsque le liquide réfrigérant est pompé.
- Un bruit de craquement soudain provenant de l'intérieur de l'appareil provoqué par une dilatation thermique (un phénomène naturel et inoffensif).
- Un léger cliquetis du thermostat lorsque le compresseur s'active ou se désactive.

### CONSEILS D'ÉCONOMIE D'ÉNERGIE

- Évitez d'ouvrir trop souvent la porte du congélateur et ne la laissez ouverte que le temps nécessaire.

### CONSEILS POUR LA RÉFRIGÉRATION DES ALIMENTS FRAIS

- Ne placez pas les aliments chauds ou les liquides bouillants dans le réfrigérateur.
- Couvrez ou enveloppez les aliments, surtout s'ils sont forts en saveurs.
- Placez correctement les aliments pour que l'air puisse circuler librement autour

### CONSEILS POUR LA RÉFRIGÉRATION

Conseil utiles :

- Viande (tous types de viande) : emballez-la dans un emballage adapté et placez-la sur l'étagère en verre au-dessus du bac à légumes. Ne conservez la viande que 1 ou 2 jours au plus.
- Aliments cuits, plats froids : couvrez-les et placez-les sur une étagère.
- Fruits et légumes : nettoyez-les soigneusement et placez-les dans le bac spécial. Bananes, pommes de terre, oignons et ail ne doivent pas être mis dans le réfrigérateur, s'ils ne sont pas emballés.
- Beurre et fromage : placez-les dans le compartiment spécial, étanche à l'air, ou

enveloppez-les dans une feuille d'aluminium ou un sachet en polyéthylène, pour les tenir autant que possible à l'abri de l'air.

- Bouteilles : elles doivent être munies d'un bouchon et être placées sur le porte-bouteilles ou (s'il est installé) dans le balconnet à bouteilles de la porte.

### CONSEILS POUR LA CONGÉLATION

- Congelez uniquement des aliments frais, de qualité supérieure et propres.
- Pour une congélation et une décongélation plus efficaces, séparez les aliments en petites portions.
- Emballez les aliments dans du papier aluminium ou en polyéthylène. Assurez-vous que les emballages sont hermétiques.
- Pour éviter d'augmenter la température des aliments déjà surgelés, ne placez pas d'aliments frais non congelés directement à proximité.
- Les aliments faibles en gras se conservent mieux et plus longtemps que les aliments gras. Le sel diminue la durée de conservation des aliments.
- Ne mangez pas les glaçons, les glaces à l'eau ou les bâtonnets glacés dès leur sortie du congélateur. Risque de gelure !
- Il est conseillé d'indiquer la date de congélation des aliments sur chaque paquet afin de garder une trace du temps de conservation.

### CONSEILS POUR LE STOCKAGE DES ALIMENTS SURGELÉS

- Assurez-vous que les denrées surgelées achetées dans le commerce ont été correctement entreposées par le revendeur.
- Prévoyez un temps réduit au minimum pour le transport des denrées du magasin d'alimentation à votre domicile.
- Une fois décongelés, les aliments se détériorent rapidement et ne peuvent être recongelés.
- Ne dépassez pas la durée de conservation indiquée par le fabricant.

# ENTRETIEN ET NETTOYAGE



**AVERTISSEMENT!** Reportez-vous aux chapitres concernant la sécurité.

## AVERTISSEMENTS GÉNÉRAUX



**ATTENTION!** Débranchez l'appareil avant toute opération d'entretien et de nettoyage.



Cet appareil contient des hydrocarbures dans son circuit de réfrigération ; l'entretien et la recharge ne doivent donc être effectués que par du personnel qualifié.



Les pièces et accessoires de l'appareil ne doivent pas être lavés au lave-vaisselle.

## NETTOYAGE DE L'INTÉRIEUR

Avant d'utiliser l'appareil pour la première fois, nettoyez l'intérieur et tous les accessoires avec de l'eau tiède savonneuse (pour supprimer toute odeur de neuf), puis séchez-les soigneusement.



**ATTENTION!** N'utilisez jamais de détergents, de produits abrasifs, de nettoyants à base de chlore ou d'huile car ils pourraient endommager le revêtement.

## NETTOYAGE PÉRIODIQUE



**ATTENTION!** Ne tirez pas, ne déplacez pas, n'endommagez pas les tuyaux et/ou câbles qui se trouvent à l'intérieur de l'appareil.



**ATTENTION!** N'endommagez pas le circuit de refroidissement.

L'appareil doit être nettoyé régulièrement :

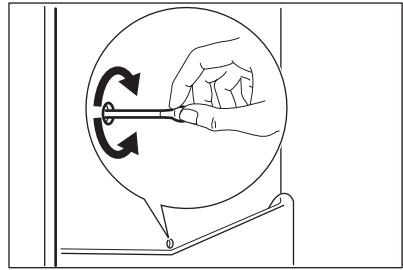
1. Nettoyez l'intérieur et les accessoires avec de l'eau tiède et additionnée d'un détergent doux.
2. Vérifiez régulièrement les joints de porte et essuyez-les pour vous assurer qu'ils sont propres et ne contiennent pas de résidus.
3. Rincez et séchez soigneusement.
4. S'ils sont accessibles, nettoyez le condenseur et le compresseur situés à l'arrière de l'appareil avec une brosse.

Cette opération améliore les performances de l'appareil et permet des économies d'électricité.

## DÉGIVRAGE DU RÉFRIGÉRATEUR

En fonctionnement normal, le givre est automatiquement éliminé de l'évaporateur du compartiment réfrigérateur à chaque fois que le compresseur s'arrête. L'eau de dégivrage est collectée dans un récipient spécial situé à l'arrière de l'appareil, au-dessus du compresseur, d'où elle s'évapore.

Il est important de nettoyer régulièrement l'orifice d'écoulement de la goulotte d'évacuation de l'eau de dégivrage située au milieu du compartiment réfrigérateur pour empêcher l'eau de déborder et de couler à l'intérieur de l'appareil.



## DÉGIVRAGE DU CONGÉLATEUR



**ATTENTION!** N'utilisez en aucun cas d'objets métalliques ou tranchants pour gratter la couche de givre sur l'évaporateur, car vous risqueriez de le détériorer. N'utilisez aucun dispositif mécanique ou autre moyen artificiel pour accélérer le processus de dégivrage hormis ceux recommandés par le fabricant. Une élévation de la température des denrées congelées, pendant le dégivrage, peut réduire leur durée de conservation.



Mettez le thermostat sur la température la plus basse 12 heures avant d'effectuer le dégivrage afin d'assurer une réserve de froid suffisante.

Une certaine quantité de givre se forme toujours sur les clayettes du congélateur et autour du compartiment supérieur.

Dégivrez le congélateur lorsque l'épaisseur de la couche de givre est comprise entre 3 et 5 mm.

1. Éteignez l'appareil, ou débranchez la fiche de la prise secteur.

- Sortez les denrées congelées, enveloppez-les dans plusieurs feuilles de papier journal et conservez-les dans un endroit frais.



**AVERTISSEMENT!** Ne touchez pas les produits congelés et les surfaces givrées avec les mains humides. Risque de brûlures ou d'arrachement de la peau.

- Laissez la porte ouverte.  
Le dégivrage peut être accéléré en plaçant un récipient d'eau chaude dans le compartiment congélateur. Retirez également les morceaux de glace au fur et à mesure qu'ils se détachent, avant que le processus de dégivrage ne soit terminé.
- Une fois le dégivrage terminé, séchez bien l'intérieur.
- Mettez l'appareil en marche.

Au bout de 3 heures, remplacez les produits congelés dans le compartiment congélateur.

## EN CAS DE NON-UTILISATION PROLONGÉE

Si l'appareil n'est pas utilisé pendant de longues périodes, prenez les précautions suivantes :

- Débranchez l'appareil de l'alimentation électrique.
- Retirez tous les aliments.
- Dégivrez l'appareil (si nécessaire).
- Nettoyez l'appareil et tous les accessoires.
- Laissez la porte/les portes ouverte(s) pour éviter la formation d'odeurs désagréables.



**ATTENTION!** Si, toutefois, vous n'avez pas la possibilité de débrancher et de vider l'appareil, faites vérifier régulièrement le bon de fonctionnement de celui-ci pour éviter que les aliments qu'il contient ne pourrissent en cas de coupure de courant.

## DÉPANNAGE



**AVERTISSEMENT!** Reportez-vous aux chapitres concernant la sécurité.

### EN CAS D'ANOMALIE DE FONCTIONNEMENT

| Problème                                 | Cause probable  | Solution  |
|--|---|---|
| L'appareil ne fonctionne pas du tout.    | L'appareil est éteint.  | Mettez l'appareil en marche.  |
|  | La fiche du câble d'alimentation n'est pas correctement insérée dans la prise de courant. | Branchez correctement la fiche du câble d'alimentation dans la prise de courant.                |
|  | La prise de courant n'est pas alimentée.  | Branchez un autre appareil électrique à la prise de courant. Contactez un électricien qualifié. |
| L'appareil est bruyant.                  | L'appareil n'est pas stable.  | Assurez-vous de la stabilité de l'appareil.   |
| L'éclairage ne fonctionne pas.           | L'éclairage est en mode veille.   | Fermez puis ouvrez la porte.  |
|  | L'éclairage est défectueux.   | Reportez-vous au chapitre « Remplacement de l'ampoule ».  |
| Le compresseur fonctionne en permanence. | Il y a une erreur dans le réglage de la température.                                      | Reportez-vous au chapitre « Fonctionnement ».   |

| <b>Problème</b>  | <b>Cause probable</b>   | <b>Solution</b>  |
|--|---|--|
|  | Trop de produits à congeler ont été introduits en même temps dans l'appareil.                                       | Attendez quelques heures et vérifiez de nouveau la température.                            |
|  | La température ambiante est trop élevée.  | Reportez-vous au tableau des classes climatiques de la plaque signalétique.                |
|  | Les aliments introduits dans l'appareil étaient trop chauds.  | Laissez refroidir les aliments à température ambiante avant de les mettre dans l'appareil. |
|  | La porte n'est pas fermée correctement.   | Reportez-vous au chapitre « Fermeture de la porte ».                                       |
| Il y a trop de givre et de glace.                                  | La porte n'est pas correctement fermée ou le joint est déformé/sale.  | Reportez-vous au chapitre « Fermeture de la porte ».                                       |
|  | Le bouchon de la gouttière d'évacuation de l'eau de dégivrage n'est pas bien placé.                                 | Placez correctement le bouchon de la gouttière d'évacuation de l'eau.                      |
|  | Les aliments ne sont pas correctement emballés.   | Emballez les produits de façon plus adaptée.   |
|  | Il y a une erreur dans le réglage de la température.  | Reportez-vous au chapitre « Fonctionnement ».  |
| De l'eau s'écoule sur la plaque arrière du réfrigérateur.          | Pendant le dégivrage automatique, le givre fond sur la plaque arrière.  | Ce phénomène est normal.   |
| De l'eau s'écoule dans le réfrigérateur.                           | L'orifice d'écoulement de l'eau de dégivrage est obstrué.   | Nettoyez l'orifice d'écoulement de l'eau de dégivrage.                                     |
|  | Des aliments empêchent l'eau de s'écouler dans le réservoir d'eau.  | Assurez-vous que les produits ne touchent pas la plaque arrière.                           |
| De l'eau coule sur le sol.   | Le tuyau d'évacuation de l'eau de dégivrage n'est pas raccordé au bac d'évaporation situé au-dessus du compresseur. | Fixez le tuyau d'évacuation de l'eau au bac d'évaporation de l'eau de dégivrage.           |
| La température à l'intérieur de l'appareil est trop basse/ élevée. | Le thermostat n'est pas réglé correctement.   | Augmentez/réduisez la température.   |
|  | La porte n'est pas fermée correctement.   | Reportez-vous au chapitre « Fermeture de la porte ».                                       |
|  | La température des produits est trop élevée.  | Laissez les aliments refroidir à température ambiante avant de les placer dans l'appareil. |

| Problème  | Cause probable   | Solution  |
|---|--|---|
|   | Trop de produits ont été introduits simultanément.   | Introduisez moins de produits en même temps.  |
|   | L'épaisseur de givre est supérieure à 4 - 5 mm.  | Dégivrez l'appareil.  |
|   | La porte a été ouverte trop souvent.   | N'ouvrez la porte qu'en cas de nécessité.   |
|   | L'air froid ne circule pas dans l'appareil.  | Assurez-vous que de l'air froid circule dans l'appareil.                                      |
| Trop d'eau s'est condensée sur la paroi arrière du réfrigérateur. | La porte a été ouverte trop fréquemment.   | N'ouvrez la porte qu'en cas de nécessité.   |
|   | La porte n'est pas entièrement fermée.   | Assurez-vous que la porte est entièrement fermée.   |
|   | Les aliments conservés ne sont pas emballés.   | Enveloppez les aliments dans un emballage adapté avant de les ranger dans l'appareil.         |
| De l'eau s'écoule sur la plaque arrière du réfrigérateur.         | La température ambiante est élevée et l'appareil est réglé sur la température la plus basse. | Placez le thermostat sur une température plus élevée pour permettre le dégivrage automatique. |
|   | L'appareil est entièrement chargé et il est réglé sur la température la plus basse.          | Placez le thermostat sur une température plus élevée pour permettre le dégivrage automatique. |
| La porte est difficile à ouvrir.                                  | Vous avez essayé de rouvrir la porte immédiatement après l'avoir fermée.                     | Attendez quelques secondes après avoir fermé la porte pour la rouvrir.                        |

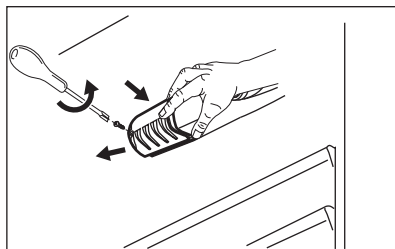


Si ces conseils n'apportent pas de solution à votre problème, veuillez consulter le service après-vente agréé le plus proche.



**ATTENTION!** Débranchez la fiche de l'appareil de la prise secteur.

1. À l'aide d'un tournevis, retirez la vis du diffuseur.
2. Détachez le diffuseur en le tirant dans le sens des flèches.



## REPLACEMENT DE L'ÉCLAIRAGE



L'appareil est équipé d'un éclairage à LED longue durée.



Il est recommandé d'utiliser uniquement des pièces détachées d'origine.



Utilisez des ampoules LED (base E14) uniquement. La puissance maximale est indiquée sur la base d'éclairage.

3. Remplacez l'ampoule par une ampoule de caractéristiques identiques, spécifiquement conçue pour les appareils électroménagers.
4. Remontez le diffuseur de l'ampoule.
5. Serrez la vis du diffuseur.
6. Branchez la fiche de l'appareil à la prise secteur.
7. Ouvrez la porte.  
Vérifiez que l'ampoule s'allume.

## FERMETURE DE LA PORTE

1. Nettoyez les joints de la porte.
2. Si nécessaire, ajustez la porte. Reportez-vous aux instructions de montage.
3. Si nécessaire, remplacez les joints de porte défectueux. Contactez le service après-vente agréé.

# CARACTÉRISTIQUES TECHNIQUES

## FICHE PRODUIT

|   |                              |
|---|------------------------------|
| Marque  | Zanussi                      |
| Modèle  | ZRT27101WA 920241103         |
| Catégorie   | 7. Réfrigérateur-congélateur |
| Classe d'efficacité énergétique   | A+                           |
| Consommation d'énergie annuelle en kWh, calculée sur la base du résultat obtenu pour 24 heures dans des conditions d'essai normalisées. La consommation d'énergie réelle dépend des conditions d'utilisation et de l'emplacement de l'appareil. | 240                          |
| Volume de stockage en litres, Réfrigérateur   | 209                          |
| Volume de stockage en litres, Étoile  | -                            |
| Volume de stockage en litres, Zone cellier  | -                            |
| Volume de stockage en litres, Vin   | -                            |
| Volume de stockage en litres, Total   | 259                          |
| Volume de stockage en litres, Congélateur   | 50                           |
| Volume de stockage en litres, Refroidisseur   | -                            |
| Volume de stockage en litres, Autres compartiments  | -                            |
| Nombre d'étoiles du compartiment congélateur ayant le volume de stockage le plus élevé (l)  | ****                         |
| Température de conception des autres compartiments > 14 °C (°C), s'il y a lieu  | -                            |
| Sans givre (O/N), Réfrigérateur   | Non                          |
| Sans givre (O/N), Congélateur   | Non                          |
| Coupure de courant en toute sécurité en h   | 20                           |
| Pouvoir de congélation en kg/24 h   | 4                            |
| Classe climatique   | SN-N-ST                      |
| La température ambiante la plus basse à laquelle l'appareil est conçu pour être utilisé, en °C  | 10                           |

|   |     |
|---|-----|
| La température ambiante la plus élevée à laquelle l'appareil est conçu pour être utilisé, en °C | 38  |
| Émissions acoustiques dans l'air dB(A) re 1 pW  | 40  |
| Appareil intégrable O/N   | Non |
| Cet appareil est destiné uniquement au stockage du vin O/N                                      | Non |


### AUTRES CARACTÉRISTIQUES TECHNIQUES


|                          |         |
|--------------------------|---------|
| Dimensions de l'appareil |         |
| Hauteur                  | 1590 mm |
| Largeur                  | 545 mm  |
| Profondeur               | 604 mm  |

|           |             |
|-----------|-------------|
| Tension   | 230 - 240 V |
| Fréquence | 50 Hz       |

Les caractéristiques techniques figurent sur la plaque signalétique située sur le côté intérieur ou extérieur de l'appareil et sur l'étiquette énergétique.

## EN MATIÈRE DE PROTECTION DE L'ENVIRONNEMENT

Recyclez les matériaux portant le symbole . Déposez les emballages dans les conteneurs prévus à cet effet. Contribuez à la protection de l'environnement et à votre sécurité, recyclez vos produits électriques et électroniques. Ne jetez pas

les appareils portant le symbole  avec les ordures ménagères. Emmenez un tel produit dans votre centre local de recyclage ou contactez vos services municipaux.



## **INFORMAÇÕES DE SEGURANÇA**

---

Leia atentamente as instruções fornecidas antes de instalar e utilizar o aparelho. O fabricante não poderá ser responsabilizado por ferimentos ou danos resultantes de instalação incorreta ou utilização incorreta. Guarde sempre as instruções num sítio seguro e acessível para consultar no futuro.

### **SEGURANÇA PARA CRIANÇAS E PESSOAS VULNERÁVEIS**

- Este aparelho pode ser utilizado por crianças de 8 ou mais anos de idade e por pessoas com capacidades físicas, sensoriais ou mentais reduzidas ou com pouca experiência e conhecimento se tiverem recebido supervisão ou instruções relativas à utilização do aparelho de forma segura e compreenderem os perigos envolvidos.
- Este aparelho pode ser utilizado por crianças com idade entre 3 e 8 anos e pessoas portadoras de incapacidade profunda e complexa desde que recebam as instruções adequadas.
- As crianças com menos de 3 anos de idade devem ser mantidas afastadas do aparelho ou constantemente vigiadas.
- Não permita que as crianças brinquem com o aparelho.
- A limpeza e a manutenção básica do aparelho não devem ser efetuadas por crianças sem supervisão.
- Mantenha todos os materiais de embalagem fora do alcance das crianças e elimine-os de forma apropriada.

### **SEGURANÇA GERAL**

- Este aparelho destina-se exclusivamente a utilizações domésticas ou semelhantes, tais como:
  - turismo rural; áreas de cozinha destinadas ao pessoal em lojas, escritórios e outros ambientes de trabalho;
  - utilização por clientes de hotéis, motéis e outros ambientes do tipo residencial.
- **AVISO:** As aberturas de ventilação do aparelho ou da estrutura onde ele se encontra encastrado têm de ser mantidas sem obstruções.

- **AVISO:** Não utilize um dispositivo mecânico ou qualquer meio artificial para acelerar o processo de descongelação além daqueles recomendados pelo fabricante.
- **AVISO:** Não danifique o circuito de refrigeração.
- **AVISO:** Não utilize aparelhos elétricos dentro dos compartimentos do aparelho destinados a alimentos, a não ser que sejam do tipo recomendado pelo fabricante.
- Não utilize jatos de água ou vapor para limpar o aparelho.
- Limpe o aparelho com um pano macio e húmido. Utilize apenas detergentes neutros. Não utilize produtos abrasivos, esfregões, solventes ou objetos metálicos.
- Não guarde substâncias explosivas, como latas de aerossóis com agente pressurizante inflamável, dentro do aparelho.
- Se o cabo de alimentação estiver danificado, deve ser substituído pelo fabricante, por um Centro de Assistência Técnica Autorizado ou por uma pessoa igualmente qualificada, para evitar perigos.

## INSTRUÇÕES DE SEGURANÇA

### INSTALAÇÃO



**AVISO!** A instalação deste aparelho tem de ser efetuada por uma pessoa qualificada.

- Remova toda a embalagem.
- Não instale nem utilize o aparelho se ele estiver danificado.
- Siga as instruções de instalação fornecidas com o aparelho.
- Tenha sempre cuidado quando deslocar o aparelho porque ele é pesado. Utilize sempre luvas e calçado de proteção.
- Certifique-se de que o ar pode circular em torno do aparelho.
- Após a instalação ou após uma inversão da porta, aguarde pelo menos 4 horas antes de ligar o aparelho à alimentação elétrica. Isto permite que o óleo regresse ao compressor.
- Antes de efetuar qualquer operação no aparelho (por exemplo, inverter a porta), retire a ficha da tomada elétrica.
- Não instale o aparelho perto de radiadores, fogões, fornos ou placas.
- Não exponha o aparelho a chuva.
- Não instale o aparelho em locais com luz solar direta.

- Não instale este aparelho em locais demasiado húmidos ou frios.
- Quando deslocar o aparelho, eleve-o na parte da frente para evitar riscar o chão.

### LIGAÇÃO ELÉTRICA



**AVISO!** Risco de incêndio e choque elétrico.



**AVISO!** Quando colocar o aparelho na posição definitiva, certifique-se de que o cabo de alimentação não fica entalado ou danificado.



**AVISO!** Não utilize adaptadores com várias tomadas, nem cabos de extensão.

- O aparelho tem de ficar ligado à terra.
- Certifique-se de que os parâmetros indicados na placa de características são compatíveis com a alimentação elétrica.
- Utilize sempre uma tomada bem instalada e à prova de choques elétricos.
- Certifique-se de que não danifica os componentes elétricos (ficha e cabo de

alimentação elétrica, compressor, etc.).

Contacte um Centro de Assistência Técnica Autorizado ou um electricista se for necessário substituir componentes elétricos.

- O cabo de alimentação deve ficar abaixo do nível da ficha.
- Ligue a ficha à tomada elétrica apenas no final da instalação. Certifique-se de que a ficha fica acessível após a instalação.
- Não puxe o cabo de alimentação para desligar o aparelho. Puxe sempre a ficha de alimentação.

## UTILIZAÇÃO



**AVISO!** Risco de ferimentos, queimaduras, choque elétrico ou incêndio.



O aparelho contém gás inflamável, isobutano (R600a), que é um gás natural com um alto nível de compatibilidade ambiental. Tenha cuidado para não provocar danos no circuito de refrigeração que contém isobutano.

- Não altere as especificações deste aparelho.
- Não coloque dispositivos elétricos (por ex. máquinas de fazer gelados) no interior do aparelho, exceto se forem autorizados pelo fabricante.
- Se ocorrerem danos no circuito de refrigeração, certifique-se de que não existem chamas e fontes de ignição na divisão. Ventile bem a divisão.
- Não permita que objetos quentes toquem nas peças de plástico do aparelho.
- Não coloque bebidas gaseificadas dentro do congelador. Isto irá criar pressão no recipiente da bebida.
- Não guarde gases e líquidos inflamáveis no aparelho.
- Não coloque produtos inflamáveis, ou objetos molhados com produtos inflamáveis, no interior, perto ou em cima do aparelho.
- Não toque no compressor ou no condensador. Estão quentes.
- Não remova nem toque em peças do compartimento de congelação com as mãos húmidas ou molhadas.
- Não volte a congelar alimentos que já foram descongelados.
- Cumpra as instruções de armazenamento das embalagens dos alimentos congelados.
- Embale os alimentos em material próprio para contacto com alimentos antes de os colocar no congelador.

## LUZ INTERIOR



**AVISO!** Risco de choque elétrico.

- Este aparelho utiliza uma lâmpada de um tipo que se destina exclusivamente a aparelhos domésticos. Não a utilize para iluminação em casa.

## MANUTENÇÃO E LIMPEZA



**AVISO!** Risco de ferimentos ou danos no aparelho.

- Antes de qualquer acção de manutenção, desactive o aparelho e desligue a ficha da tomada eléctrica.
- Este aparelho contém hidrocarbonetos na sua unidade de arrefecimento A manutenção e o recarregamento só devem ser efectuados por uma pessoa qualificada.
- Inspeccione regularmente o escoamento do aparelho e limpe-o, se necessário. Se o orifício de escoamento estiver bloqueado, a água descongelada fica acumulada na parte inferior do aparelho.

## ASSISTÊNCIA

- Contacte um Centro de Assistência Técnica Autorizado se for necessário reparar o aparelho.
- Utilize apenas peças de substituição originais.

## ELIMINAÇÃO



**AVISO!** Risco de ferimentos ou asfixia.

- Desligue o aparelho da alimentação eléctrica.
- Corte o cabo de alimentação eléctrica e elimine-o.
- Remova a porta para evitar que crianças ou animais de estimação fiquem fechados no interior do aparelho.
- O circuito de refrigeração e os materiais de isolamento deste aparelho não prejudicam a camada de ozono.
- A espuma de isolamento contém gás inflamável. Contacte a sua autoridade municipal para saber como eliminar o aparelho correctamente.
- Não provoque danos na parte da unidade de arrefecimento que está próxima do permutador de calor.

# INSTALAÇÃO



**AVISO!** Consulte os capítulos relativos à segurança.

## POSICIONAMENTO

Instale o aparelho num espaço interior seco e bem ventilado, onde a temperatura ambiente corresponda à classe climática indicada na placa de características do aparelho.

| Classe climática | Temperatura ambiente |
|------------------|----------------------|
| SN               | +10°C a +32°C        |
| N                | +16°C a +32°C        |
| ST               | +16°C a +38°C        |
| T                | +16°C a +43°C        |



Podem ocorrer alguns problemas de funcionamento em alguns tipos de modelos se estiverem a funcionar fora destas condições. O funcionamento correcto só pode ser garantido no intervalo de temperaturas indicado. Se tiver dúvidas em relação ao local onde deve instalar o aparelho, contacte o vendedor, o nosso serviço de apoio ao cliente ou o Centro de Assistência Técnica Autorizado mais próximo.

## LOCALIZAÇÃO



Consulte as instruções de montagem para efectuar a instalação.

Para garantir o melhor desempenho, instale o aparelho bem afastado de fontes de calor, como sejam radiadores, caldeiras, luz solar directa, etc. Certifique-se de que o ar pode circular livremente atrás do armário.

## LIGAÇÃO ELÉTRICA

- Antes de ligar a ficha na tomada, certifique-se de que a voltagem e a frequência indicadas na placa de características correspondem à rede elétrica da sua casa.
- O aparelho tem de ficar ligado à terra. A ficha do cabo de alimentação é fornecida com um contacto para esse fim. Se a tomada elétrica doméstica não estiver ligada à terra, ligue o aparelho a uma ligação à terra separada que cumpra as normas atuais; consulte um electricista qualificado.
- O fabricante declina toda a responsabilidade caso as precauções de segurança acima não sejam cumpridas.
- Este aparelho está em conformidade com as Diretivas da C.E.E.

# FUNCCIONAMENTO

## LIGAR

Introduza a ficha na tomada elétrica.

Rode o regulador de temperatura no sentido horário para um valor médio.

## DESLIGAR

Para desligar o aparelho, rode o regulador da temperatura para a posição "O".

## REGULAÇÃO DA TEMPERATURA

A temperatura é regulada automaticamente. No entanto, pode seleccionar manualmente uma temperatura no interior do aparelho.

Escolha a regulação tendo em conta que a temperatura no interior do aparelho depende do seguinte:

- temperatura ambiente;
- frequência de abertura da porta;
- quantidade de alimentos armazenados;
- localização do aparelho.

Normalmente, uma regulação média é a mais adequada.

Para regular o aparelho:

- Rode o regulador de temperatura no sentido horário para baixar a temperatura no interior do aparelho.
- Rode o regulador de temperatura no sentido anti-horário para aumentar a temperatura no interior do aparelho.

# UTILIZAÇÃO DIÁRIA



**AVISO!** Consulte os capítulos relativos à segurança.

## CONGELAR ALIMENTOS FRESCOS

O compartimento do congelador é adequado para congelar alimentos frescos e conservar alimentos congelados e ultracongelados a longo prazo.

Para congelar alimentos frescos, não é necessário alterar a definição média.

No entanto, para uma operação de congelação mais rápida, rode o regulador de temperatura para definições superiores para obter a frescura máxima.



**CUIDADO!** Neste estado, a temperatura do compartimento do frigorífico pode descer abaixo dos 0 °C. Se isto ocorrer, volte a colocar o regulador da temperatura numa definição mais quente.

## ARMAZENAMENTO DE ALIMENTOS CONGELADOS

Quando ligar pela primeira vez ou após um período sem utilização, deixe o aparelho em funcionamento durante 2 horas ou mais na regulação máxima antes de colocar produtos.



Em caso de descongelação acidental, por exemplo, devido a uma falha de energia, se a energia faltar durante mais tempo do que o indicado na tabela de características técnicas em "Tempo de autonomia", os alimentos descongelados têm de ser consumidos rapidamente ou cozinhados imediatamente e depois novamente congelados (após arrefecerem).

## DESCONGELAÇÃO

Antes de serem utilizados, os alimentos congelados e ultra-congelados podem ser descongelados no compartimento do frigorífico ou à temperatura ambiente, dependendo do tempo disponível para esta operação.

## SUGESTÕES E DICAS

### SONS DE FUNCIONAMENTO NORMAIS

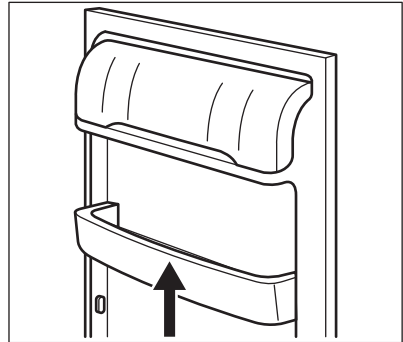
Os seguintes sons são normais durante o funcionamento:

Os artigos pequenos podem ser cozinhados ainda congelados, logo após retirados do congelador: neste caso, a cozedura demora mais tempo.

### POSICIONAMENTO DAS PRATELEIRAS DA PORTA

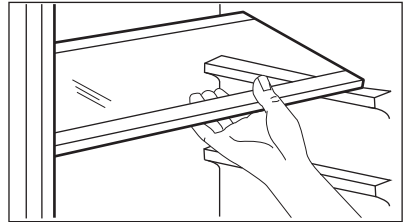
Para permitir o armazenamento de embalagens de alimentos de várias dimensões, as prateleiras da porta podem ser colocadas a diferentes alturas.

1. Puxe a prateleira gradualmente para cima até que ela se desencaixe.
2. Volte a colocar conforme desejar.



### PRATELEIRAS MÓVEIS

As paredes do frigorífico possuem várias calhas que permitem posicionar as prateleiras conforme pretendido.



Não desloque a prateleira de vidro que cobre a gaveta de legumes, para garantir uma circulação de ar correcta.

- Um som de gorgolejar ou borbulhar quando o refrigerante está a ser bombeado.

- Um som sibilante e ritmado proveniente do compressor quando o refrigerante está a ser bombeado.
- Um ruído repentino de estilhaçar no interior do aparelho, causado pela dilatação térmica (fenómeno físico natural e não perigoso).
- Um ruído de clique proveniente do regulador de temperatura quando o compressor é ligado e desligado.

### CONSELHOS PARA POUPAR ENERGIA

- Não abra a porta muitas vezes, nem a deixe aberta mais tempo do que o absolutamente necessário.

### CONSELHOS PARA A REFRIGERAÇÃO DE ALIMENTOS FRESCOS

- Não armazene alimentos quentes ou líquidos que se evaporam no frigorífico.
- Cubra ou embale os alimentos, especialmente se tiverem um odor forte.
- Posicione os alimentos de modo a permitir que o ar circule livremente em redor deles.

### CONSELHOS PARA A REFRIGERAÇÃO

Conselhos úteis:

- Carne (todos os tipos): embale em embalagens adequadas e coloque na prateleira de vidro por cima da gaveta de legumes. A carne conserva-se por 1 ou 2 dias no máximo.
- Alimentos cozinhados e pratos frios: cubra e coloque em qualquer prateleira.
- Fruta e legumes: lave bem e coloque numa gaveta especial. Alguns produtos, como bananas, batatas, cebolas e alho, não devem ser guardados no frigorífico se não estiverem embalados.
- Manteiga e queijo: coloque em recipientes herméticos especiais ou embale em folha de alumínio ou sacos de polietileno para excluir o máximo de ar possível.
- Garrafas: devem ter uma tampa e devem ser colocadas na prateleira de garrafas da porta ou noutra prateleira de garrafas (se existir).

### CONSELHOS PARA A CONGELAÇÃO

- Congele apenas alimentos de alta qualidade, frescos e bem limpos.
- Para melhorar a eficiência ao congelar e descongelar, divida os alimentos em porções pequenas.
- Envolve os alimentos em folha de alumínio ou película de polietileno. Certifique-se de que as embalagens ficam bem vedadas.
- Para evitar aumentos de temperatura nos alimentos já congelados, não coloque os alimentos frescos em contacto com os congelados.
- Os alimentos sem gordura conservam-se durante mais tempo do que os alimentos com gordura. O sal reduz o tempo de armazenamento dos alimentos.
- Não se deve comer cubos de gelo ou gelados à base de água imediatamente após serem retirados do congelador. Existe o risco de queimaduras por frio.
- É aconselhável que anote a data de congelação em cada embalagem para poder controlar o tempo de armazenamento.

### CONSELHOS PARA O ARMAZENAMENTO DE ALIMENTOS CONGELADOS

- Certifique-se de que os alimentos congelados comercialmente foram armazenados adequadamente pelo vendedor.
- Certifique-se de que os alimentos congelados são transferidos do supermercado para o congelador no tempo mais curto possível.
- Uma vez descongelados, os alimentos degradam-se rapidamente e não podem voltar a ser congelados.
- Não exceda o período de armazenamento indicado pelo produtor de cada alimento.

## MANUTENÇÃO E LIMPEZA



**AVISO!** Consulte os capítulos relativos à segurança.



**CUIDADO!** Desligue o aparelho da tomada eléctrica antes de qualquer operação de manutenção.

**i** Este aparelho contém hidrocarbonetos na unidade de refrigeração, pelo que a manutenção e a recarga devem ser efectuadas exclusivamente por técnicos autorizados.

**i** Os acessórios e as peças deste aparelho não podem ser lavados na máquina de lavar loiça.

## LIMPEZA DO INTERIOR

Antes de utilizar o aparelho pela primeira vez, limpe o interior e todos os acessórios internos com água morna e detergente neutro, para remover o cheiro típico de um produto novo, e seque minuciosamente.



**CUIDADO!** Não utilize detergentes, pós abrasivos, cloro ou produtos de limpeza à base de óleos, porque estes produtos danificam o acabamento.

## LIMPEZA PERIÓDICA



**CUIDADO!** Não puxe, não desloque, nem danifique quaisquer tubos e/ou cabos no interior do aparelho.



**CUIDADO!** Não danifique o circuito de refrigeração.

O equipamento tem de ser limpo regularmente:

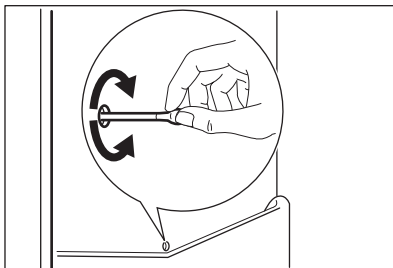
1. Limpe o interior e os acessórios com água morna e um pouco de detergente neutro.
2. Verifique regularmente os vedantes da porta e limpe-os para garantir que estão limpos e sem resíduos.
3. Enxágue e seque cuidadosamente.
4. Se estiver acessível, limpe o condensador e o compressor na parte de trás do aparelho com uma escova.  
Esta operação vai melhorar o desempenho do aparelho e reduzir o consumo de electricidade.

## DESCONGELAR O FRIGORÍFICO

O gelo é eliminado automaticamente do evaporador do compartimento do frigorífico sempre que o compressor motorizado pára, durante o funcionamento normal. A água resultante da descongelação é drenada por um canal para um recipiente especial colocado na parte traseira do aparelho, sobre o compressor motorizado, onde evapora.

É importante limpar periodicamente o orifício de descarga da água da descongelação, no centro do

canal do compartimento do frigorífico, para evitar o transbordamento de água para os alimentos.



## DESCONGELAR O CONGELADOR



**CUIDADO!** Nunca utilize objectos metálicos afiados para raspar o gelo do evaporador, porque pode danificá-lo. Não utilize um dispositivo mecânico ou qualquer meio artificial para acelerar o processo de descongelação além dos recomendados pelo fabricante. Um aumento da temperatura das embalagens dos alimentos congelados, durante a descongelação, pode reduzir o tempo de armazenamento seguro.



Cerca de 12 horas antes de descongelar, seleccione uma temperatura inferior para criar uma reserva de frio suficiente para a interrupção do funcionamento.

Vai sempre formar-se uma certa quantidade de gelo nas prateleiras do congelador e em redor do compartimento superior.

Descongele o congelador quando a camada de gelo atingir uma espessura de cerca de 3 a 5 mm.

1. Desligue o aparelho ou retire a ficha da tomada eléctrica.
2. Retire os alimentos armazenados, embrulhe-os em várias folhas de jornal e coloque-os num local frio.



**AVISO!** Não toque nos produtos congelados com as mãos molhadas. Pode ficar com as mãos coladas aos produtos.

3. Deixe a porta aberta.  
Para acelerar o processo de descongelação, coloque um tacho com água quente no compartimento do congelador. Retire os

- pedaços de gelo que se tenham partido antes do fim da descongelação.
- Quando a descongelação terminar, seque o interior minuciosamente.
  - Ligue o aparelho.

Após três horas, volte a colocar os alimentos no compartimento do congelador.

### PERÍODOS DE INATIVIDADE

Quando não pretender utilizar o aparelho durante bastante tempo, adote as seguintes precauções:

- Desligue o aparelho da alimentação elétrica.

- Retire todos os alimentos.
- Descongele o aparelho (se necessário).
- Limpe o aparelho e todos os acessórios.
- Deixe a(s) porta(s) aberta(s) para evitar cheiros desagradáveis.



**CUIDADO!** Se pretender deixar o aparelho ligado, peça a alguém para o verificar com alguma regularidade, para evitar que os alimentos no interior se estraguem em caso de falha de energia.

## RESOLUÇÃO DE PROBLEMAS



**AVISO!** Consulte os capítulos relativos à segurança.

### O QUE FAZER SE...

| Problema                             | Causa possível   | Solução  |
|--------------------------------------|--|--|
| O aparelho não funciona.             | O aparelho está desligado.                                     | Ligue o aparelho.  |
|                                      | A ficha não está corretamente introduzida na tomada elétrica.  | Ligue a ficha corretamente na tomada elétrica.   |
|                                      | Não existe tensão na tomada elétrica.                          | Ligue outro aparelho elétrico na tomada elétrica. Contacte um eletricitista qualificado. |
| O aparelho emite demasiado ruído.    | O aparelho não está apoiado corretamente.                      | Verifique se o aparelho está estável.  |
| A lâmpada não funciona.              | A lâmpada está em espera.                                      | Feche e abra a porta.  |
|                                      | A lâmpada está avariada.                                       | Consulte "Substituir a lâmpada".   |
| O compressor funciona continuamente. | A temperatura regulada não é adequada.                         | Consulte o capítulo "Funcionamento".   |
|                                      | Foram colocados muitos alimentos para congelar ao mesmo tempo. | Aguarde algumas horas e volte a verificar a temperatura.                                 |
|                                      | A temperatura ambiente está demasiado elevada.                 | Consulte a classe climática na placa de características.                                 |
|                                      | Os alimentos colocados no aparelho estavam demasiado quentes.  | Deixe que os alimentos arrefeçam até à temperatura ambiente antes de os guardar.         |
|                                      | A porta não está bem fechada.                                  | Consulte "Fechar a porta".   |



| <b>Problema</b>   | <b>Causa possível</b>  | <b>Solução</b>  |
|---|--|---|
| Existe demasiado gelo acumulado.                                    | A porta não está bem fechada ou a junta da porta está deformada/suja.                            | Consulte "Fechar a porta".  |
|   | O tampão de escoamento da água não está bem colocado.  | Coloque o tampão de escoamento da água na posição correta.                                    |
|   | Os alimentos não estão embalados corretamente.   | Embale melhor os alimentos.   |
|   | A temperatura regulada não é adequada.   | Consulte o capítulo "Funcionamento".  |
| Há água a escorrer na parede traseira do frigorífico.               | Durante o processo de descongelação automática, o gelo descongela na parede traseira.            | Isto é normal.  |
| Há água que escorre para o frigorífico.                             | A saída da água está obstruída.  | Limpe a saída da água.  |
|   | Existem alimentos a impedir que a água esorra para o coletor da água.                            | Certifique-se de que os alimentos não tocam na parede traseira.                               |
| Existe água a escorrer para o chão.                                 | A saída da água descongelada não está ligada ao tabuleiro de evaporação, por cima do compressor. | Encaixe o tubo de saída da água descongelada no tabuleiro de evaporação.                      |
| A temperatura no aparelho está demasiado baixa/alta.                | O regulador de temperatura não está bem regulado.  | Regule para uma temperatura mais alta/baixa.  |
|   | A porta não está bem fechada.  | Consulte "Fechar a porta".  |
|   | A temperatura de algum produto está demasiado elevada.   | Deixe que a temperatura dos alimentos diminua até à temperatura ambiente antes de os guardar. |
|   | Guardou demasiados alimentos ao mesmo tempo.   | Guarde menos alimentos ao mesmo tempo.  |
|   | A espessura do gelo acumulado é superior a 4-5 mm.   | Descongele o aparelho.  |
|   | A porta foi aberta muitas vezes.   | Abra a porta apenas quando for mesmo necessário.  |
|   | Não há circulação de ar frio no interior do aparelho.  | Certifique-se de que o ar frio pode circular no interior do aparelho.                         |
| Existe demasiada água condensada na parede traseira do frigorífico. | A porta foi aberta demasiadas vezes.   | Abra a porta apenas quando for mesmo necessário.  |

| Problema                                   | Causa possível   | Solução  |
|--|--|--|
|  | A porta não está totalmente fechada.   | Certifique-se de que a porta está totalmente fechada.  |
|  | Os alimentos armazenados não estão embalados.  | Coloque os alimentos em embalagens adequadas antes de os guardar no aparelho.                            |
| Há gelo na parede traseira do frigorífico. | A temperatura ambiente é elevada e o aparelho está regulado para a temperatura mais baixa. | Selecione uma temperatura superior no regulador de temperatura para permitir a descongelação automática. |
|  | O aparelho está totalmente carregado e regulado para a temperatura mais baixa.             | Selecione uma temperatura superior no regulador de temperatura para permitir a descongelação automática. |
| A porta não abre facilmente.               | Tentou reabrir a porta imediatamente após a fechar.  | Aguarde alguns segundos entre o fecho e a reabertura da porta.   |



Se estes conselhos não permitirem a resolução do problema, contacte o Centro de Assistência Técnica Autorizado mais próximo.

## SUBSTITUIR A LÂMPADA



O aparelho está equipado com uma luz interior LED de longa duração.



Recomendamos vivamente que utilize apenas peças de substituição originais.

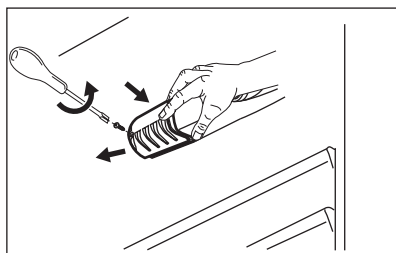


Utilize apenas lâmpadas LED (casquilho E14). A potência máxima está indicada na unidade da lâmpada.



**CUIDADO!** Desligue a ficha da tomada elétrica.

1. Com uma chave de parafusos, retire o parafuso da tampa da lâmpada.
2. Retire a tampa da lâmpada na direção das setas.



3. Substitua a lâmpada por uma com características idênticas e especialmente concebida para aparelhos domésticos.
4. Reinstale a tampa da lâmpada.
5. Aperte o parafuso da tampa da lâmpada.
6. Ligue a ficha na tomada elétrica.
7. Abra a porta.  
Certifique-se de que a lâmpada acende.

## FECHAR A PORTA

1. Limpe as juntas da porta.
2. Se necessário, ajuste a porta. Consulte as instruções de montagem.
3. Se as juntas da porta estiverem defeituosas, substitua-as. Contacte um Centro de Assistência Técnica Autorizado.

# DADOS TÉCNICOS

## FICHA DE INFORMAÇÃO DO PRODUTO

|   |                           |
|---|---------------------------|
| Marca comercial   | Zanussi                   |
| Modelo  | ZRT27101WA 920241103      |
| Categoria   | 7. Frigorífico-congelador |
| Classe de eficiência energética   | A+                        |
| Consumo de energia em kWh por ano, com base nos resultados de teste normalizados durante 24 horas. O valor real do consumo de energia dependerá do modo de utilização do aparelho e da sua localização. | 240                       |
| Volume de armazenagem em litros, frigorífico  | 209                       |
| Volume de armazenagem em litros, Zona de estrelas   | -                         |
| Volume de armazenagem em litros, Zona de adega  | -                         |
| Volume de armazenagem em litros, Vinho  | -                         |
| Volume de armazenagem em litros, Total  | 259                       |
| Volume de armazenagem em litros, Congelador   | 50                        |
| Volume de armazenagem em litros, Compartimento refrigerado  | -                         |
| Volume de armazenagem em litros, Outros compartimentos  | -                         |
| Classificação de estrelas do compartimento do congelador ao maior volume de armazenagem (l)   | ****                      |
| Temperatura de design dos outros compartimentos > 14 °C (°C), se existentes   | -                         |
| Sem gelo (S/N), Frigorífico   | Não                       |
| Sem gelo (S/N), Congelador  | Não                       |
| Segurança de corte de alimentação em h  | 20                        |
| Capacidade de congelamento em kg/24 h   | 4                         |
| Classe de climatização  | SN-N-ST                   |
| Temperatura ambiente mais baixa de utilização deste eletrodoméstico, em °C  | 10                        |
| Temperatura ambiente mais alta de utilização deste eletrodoméstico, em °C   | 38                        |
| Nível de emissão de ruído dB(A) re1 pW  | 40                        |
| Eletrodoméstico de encastrar S/N  | Não                       |
| A utilização deste eletrodoméstico é exclusivamente para o armazenamento de vinho S/N   | Não                       |


## DADOS TÉCNICOS ADICIONAIS


| Dimensões do aparelho |         |
|-----------------------|---------|
| Altura                | 1590 mm |
| Largura               | 545 mm  |
| Profundidade          | 604 mm  |

|            |             |
|------------|-------------|
| Tensão     | 230 - 240 V |
| Frequência | 50 Hz       |

As informações técnicas encontram-se na placa de características, que está no exterior ou no interior do aparelho e na etiqueta de energia.

## PREOCUPAÇÕES AMBIENTAIS

Recicle os materiais que apresentem o símbolo . Coloque a embalagem nos contentores indicados para reciclagem. Ajude a proteger o ambiente e a saúde pública através da reciclagem dos aparelhos eléctricos e electrónicos. Não elimine os aparelhos

que tenham o símbolo  juntamente com os resíduos domésticos. Coloque o produto num ponto de recolha para reciclagem local ou contacte as suas autoridades municipais.

## **⚠ INFORMACIÓN SOBRE SEGURIDAD**

---

Antes de instalar y utilizar el aparato, lea atentamente las instrucciones facilitadas. El fabricante no se hace responsable de lesiones o daños producidos como resultado de una instalación o un uso incorrectos. Conserve siempre estas instrucciones en lugar seguro y accesible para futuras consultas.

### **SEGURIDAD DE NIÑOS Y PERSONAS VULNERABLES**

- Este aparato puede ser utilizado por niños de 8 años en adelante y personas cuyas capacidades físicas, sensoriales o mentales estén disminuidas o que carezcan de la experiencia y conocimientos suficientes para manejarlo, siempre que cuenten con las instrucciones o la supervisión sobre el uso del electrodoméstico de forma segura y comprendan los riesgos.
- Este aparato pueden utilizarlo niños entre 3 y 8 años, así como las personas con minusvalías importantes y complejas, siempre que estén bajo supervisión continua.
- Es necesario mantener alejados del aparato a los niños de menos de 3 años salvo que estén bajo supervisión continua.
- No deje que los niños jueguen con el aparato.
- La limpieza y mantenimiento de usuario del aparato no podrán ser realizados por niños sin supervisión.
- Mantenga todo el material de embalaje fuera del alcance de los niños y deséchelo de forma adecuada.

### **SEGURIDAD GENERAL**

- Este aparato está concebido para utilizarse en aplicaciones domésticas y similares, tales como:
  - Granjas; áreas de cocina para el personal en tiendas, oficinas y otros entornos de trabajo
  - Por clientes en hoteles, moteles, pensiones y otros entornos de tipo residencial
- **ADVERTENCIA:** Mantenga libres de obstrucciones las aberturas de ventilación del alojamiento del aparato o de la estructura empotrada.

- **ADVERTENCIA:** No utilice dispositivos mecánicos ni medios artificiales para acelerar el proceso de descongelación, excepto los recomendados por el fabricante.
- **ADVERTENCIA:** No dañe el circuito del refrigerante.
- **ADVERTENCIA:** No utilice dispositivos eléctricos dentro de los compartimientos para alimentos del aparato, salvo si son del tipo recomendado por el fabricante.
- No utilice pulverizadores ni vapor de agua para limpiar el aparato.
- Limpie el aparato con un paño suave humedecido. Utilice solo detergentes neutros. No utilice productos abrasivos, estropajos duros, disolventes ni objetos metálicos.
- No almacene sustancias explosivas tales como latas de aerosol con un propulsor inflamable en este aparato.
- Si el cable eléctrico sufre algún daño, el fabricante, su servicio técnico autorizado o un profesional cualificado tendrán que cambiarlo para evitar riesgos.

## INSTRUCCIONES DE SEGURIDAD

### INSTALACIÓN



**ADVERTENCIA!** Sólo un técnico cualificado puede instalar el aparato.

- Retire todo el embalaje.
- No instale ni utilice un aparato dañado.
- Siga las instrucciones de instalación suministradas con el aparato.
- Tenga cuidado al mover el aparato, porque es pesado. Utilice siempre guantes de protección y calzado cerrado.
- Asegúrese de que el aire pueda circular alrededor del aparato.
- En la primera instalación otras invertir el sentido de apertura de la puerta, espere al menos 4 horas antes de conectar el aparato a la alimentación eléctrica. Esto es para permitir que el aceite regrese al compresor.
- Desenchufe siempre el aparato antes de llevar a cabo cualquier operación, por ejemplo cambiar el sentido de apertura de la puerta.
- No instale el aparato cerca de radiadores, cocinas, hornos o placas de cocción.
- No exponga el aparato a la lluvia.
- No instale el aparato donde reciba luz solar directa.

- No instale este aparato en áreas excesivamente húmedas o frías.
- Al mover el aparato, levántelo por el borde frontal para no arañar el suelo.

### CONEXIÓN ELÉCTRICA



**ADVERTENCIA!** Riesgo de incendios y descargas eléctricas.



**ADVERTENCIA!** Al colocar el producto, asegúrese de que el cable de alimentación no queda atrapado o doblado.



**ADVERTENCIA!** No utilice adaptadores de enchufes múltiples ni cables prolongadores.

- El aparato debe conectarse a tierra.
- Asegúrese de que los parámetros de la placa de características son compatibles con los valores eléctricos del suministro eléctrico.
- Utilice siempre una toma con aislamiento de conexión a tierra correctamente instalada.
- Asegúrese de no provocar daños en los componentes eléctricos (como enchufe, cable

de alimentación, compresor). Póngase en contacto con un electricista o con el servicio técnico autorizado para cambiar los componentes eléctricos.

- El cable de alimentación debe estar por debajo del nivel del enchufe de alimentación.
- Conecte el enchufe a la toma de corriente únicamente cuando haya terminado la instalación. Asegúrese de tener acceso al enchufe del suministro de red una vez finalizada la instalación.
- No desconecte el aparato tirando del cable de conexión a la red. Tire siempre del enchufe.

## USO DEL APARATO



**ADVERTENCIA!** Existe riesgo de lesiones, quemaduras, descargas eléctricas o incendios.



El aparato contiene un gas inflamable, isobutano (R600a), un gas natural con alto grado de compatibilidad medioambiental. Tenga cuidado para no dañar el circuito de refrigerante que contiene isobutano.

- No cambie las especificaciones de este aparato.
- No utilice otros aparatos eléctricos (como máquinas de hacer helados) dentro de aparatos de refrigeración, salvo que el fabricante haya autorizado su utilización.
- Si se daña el circuito del refrigerante, evite las llamas y fuentes de ignición en la habitación. Ventile la habitación.
- No toque con elementos calientes las piezas de plástico del aparato.
- No coloque bebidas con gas en el congelador. Se creará presión en el contenedor de la bebida.
- No almacene gas ni líquido inflamable en el aparato.
- No coloque productos inflamables ni objetos mojados con productos inflamables dentro, cerca o encima del aparato.
- No toque el compresor ni el condensador. Están calientes.
- No retire ni toque elementos del compartimento congelador con las manos húmedas o mojadas.
- No vuelva a congelar alimentos que se hayan descongelado.
- Siga las instrucciones del envase de los alimentos congelados.

- Envuelva los alimentos en cualquier material adecuado antes de ponerlos en el congelador.

## LUZ INTERNA



**ADVERTENCIA!** Riesgo de descarga eléctrica.

- El tipo de luz utilizada para este aparato es específica para aparatos domésticos. No se debe utilizar para la iluminación doméstica.

## MANTENIMIENTO Y LIMPIEZA



**ADVERTENCIA!** Podría sufrir lesiones o dañar el aparato.

- Antes de proceder con el mantenimiento, apague el aparato y desconecte el enchufe de la red.
- Este equipo contiene hidrocarburos en la unidad de refrigeración. Solo una persona cualificada debe realizar el mantenimiento y la recarga de la unidad.
- Examine periódicamente el desagüe del aparato y límpielo si fuera necesario. Si el desagüe se bloquea, el agua descongelada se acumulará en la base del aparato.

## ASISTENCIA

- Para reparar el aparato, póngase en contacto con el centro de servicio autorizado.
- Utilice solamente piezas de recambio originales.

## DESECHO



**ADVERTENCIA!** Existe riesgo de lesiones o asfixia.

- Desconecte el aparato de la red.
- Corte el cable de conexión a la red y deséchelo.
- Retire la puerta para evitar que los niños y las mascotas queden encerrados en el aparato.
- El circuito del refrigerante y los materiales aislantes de este aparato no dañan la capa de ozono.
- La espuma aislante contiene gas inflamable. Póngase en contacto con las autoridades locales para saber cómo desechar correctamente el aparato.
- No dañe la parte de la unidad de refrigeración que está cerca del intercambiador de calor.

# INSTALACIÓN



**ADVERTENCIA!** Consulte los capítulos sobre seguridad.

## COLOCACIÓN

Instale el aparato en un lugar interior seco y bien ventilado en el que la temperatura ambiente se corresponda con la clase climática indicada en la placa de características del aparato.

| Clase climática | Temperatura ambiente |
|-----------------|----------------------|
| SN              | +10°C a + 32°C       |
| N               | +16°C a + 32°C       |
| ST              | +16°C a + 38°C       |
| T               | +16°C a + 43°C       |



Se puede producir algún problema de funcionamiento en algunos modelos cuando se usan fuera de ese rango. Solo se puede garantizar el correcto funcionamiento dentro del rango de temperatura especificado. Si tiene cualquier duda respecto al lugar de instalación del aparato, consulte al vendedor, a nuestro servicio de atención al cliente o al servicio técnico autorizado más cercano.

## UBICACIÓN



Consulte las instrucciones de montaje para la instalación.

Para garantizar el mejor rendimiento, instale el aparato alejado de fuentes de calor, como radiadores, calderas, luz solar directa, etc. Asegúrese también de que el aire puede circular sin obstáculos por la parte trasera del aparato.

## CONEXIÓN ELÉCTRICA

- Antes de conectar el aparato, compruebe que el voltaje y la frecuencia indicados en la placa de datos técnicos se corresponden con el suministro de la vivienda.
- El aparato debe conectarse a tierra. El enchufe del cable de alimentación se suministra con un contacto para tal fin. Si la toma de red de la vivienda carece de conexión a tierra, conecte el aparato a una toma de tierra conforme con la normativa, después de consultar a un electricista profesional
- El fabricante declina toda responsabilidad si no se toman las precauciones antes indicadas.
- Este aparato cumple las directivas CEE.

# FUNCIONAMIENTO

## ENCENDIDO

Introduzca el enchufe eléctrico en la toma.

Gire el regulador de temperatura hacia la derecha, a un ajuste intermedio.

## APAGADO

Para apagar el aparato, gire el regulador de temperatura hasta la posición "O".

## REGULACIÓN DE LA TEMPERATURA

La temperatura se regula automáticamente. Sin embargo, puede configurar la temperatura del aparato usted mismo.

El ajuste debe elegirse teniendo en cuenta que la temperatura interior del aparato depende de:

- temperatura ambiente,
- frecuencia de apertura de la puerta,
- cantidad de alimentos guardados,
- ubicación del aparato.

Lo más conveniente es ajustar la temperatura en una posición intermedia.

Para utilizar el aparato:

1. Gire el regulador de temperatura hacia la derecha para obtener una temperatura más baja en el aparato.
2. Gire el regulador de temperatura hacia la izquierda para obtener una temperatura más alta en el aparato.



# USO DIARIO



**ADVERTENCIA!** Consulte los capítulos sobre seguridad.

## CONGELACIÓN DE ALIMENTOS FRESCOS

El compartimento del congelador es adecuado para congelar alimentos frescos y conservar a largo plazo los alimentos congelados y ultracongelados. Para congelar alimentos frescos no es necesario cambiar el ajuste intermedio.

Sin embargo, para lograr una congelación más rápida, gire el regulador de temperatura a un ajuste más alto para obtener el frío máximo.



**PRECAUCIÓN!** En esa situación, la temperatura del compartimento frigorífico puede descender por debajo de 0°C. En ese caso, sitúe el regulador de temperatura en un ajuste menos frío.

## CONSERVACIÓN DE ALIMENTOS CONGELADOS

Al poner en marcha el aparato por primera vez o después de un periodo sin uso, déjelo en marcha al menos durante 2 horas con un ajuste alto antes de colocar los productos en el compartimento.



En caso de producirse una descongelación accidental, por ejemplo, por un corte del suministro eléctrico, y si la interrupción ha sido más prolongada que el valor indicado en el campo "tiempo de elevación" de la tabla de características técnicas, será necesario consumir cuanto antes los alimentos descongelados o cocinarlos de inmediato y congelarlos de nuevo (después de que se hayan enfriado).

## DESCONGELACIÓN

Los alimentos ultracongelados o congelados, antes de utilizarlos, se pueden descongelar en el compartimento frigorífico o a temperatura ambiente, dependiendo del tiempo de que se disponga.

## CONSEJOS

### SONIDOS DE FUNCIONAMIENTO NORMAL

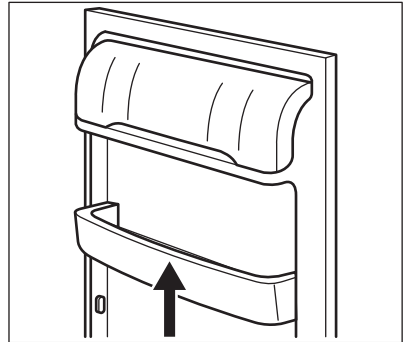
Los ruidos siguientes son normales durante el funcionamiento:

Es posible incluso cocinar piezas pequeñas congeladas, tomadas directamente del congelador: en tal caso, el tiempo de cocción será más prolongado.

## COLOCACIÓN DE LOS ESTANTES DE LA PUERTA

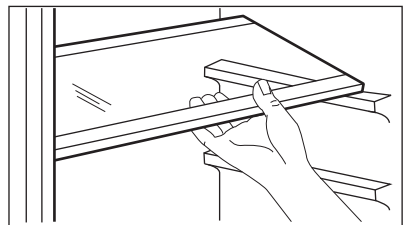
Para poder guardar alimentos de distintos tamaños, los estantes de la puerta se pueden colocar a diferentes alturas.

1. Tire gradualmente del estante hacia arriba hasta que se suelte.
2. Vuelva a colocarlo según sea necesario.



## ESTANTES MÓVILES

Las paredes del frigorífico cuentan con una serie de guías para colocar los estantes del modo que se prefiera.



No coloque el estante de vidrio por encima del cajón de verduras para no impedir la correcta circulación del aire.

- Un gorgoteo y burbujeo débil desde el serpentín cuando se bombea el refrigerante.

- Un zumbido o sonido intermitente desde el compresor cuando se bombea el refrigerante.
- Un chasquido repentino desde el interior del aparato debido a la dilatación térmica (un fenómeno físico natural no peligroso).
- Un chasquido débil desde el regulador de temperatura cuando se activa o desactiva el compresor.

### CONSEJOS PARA AHORRAR ENERGÍA

- No abra la puerta con frecuencia ni la deje abierta más tiempo del estrictamente necesario.

### CONSEJOS PARA LA REFRIGERACIÓN DE ALIMENTOS FRESCOS

- No guarde en el frigorífico alimentos calientes ni líquidos en evaporación.
- Cubra o envuelva los alimentos, en especial si tienen sabores fuertes.
- Coloque los alimentos de modo que el aire pueda circular libremente entre ellos.

### CONSEJOS PARA LA REFRIGERACIÓN

Consejos útiles:

- Carne (de todo tipo): guárdela en un envoltorio adecuado y colóquela en el estante de vidrio, sobre el cajón de las verduras. Almacene la carne durante un máximo de 1-2 días.
- Alimentos cocinados, platos fríos: cubra y coloque en cualquier instante.
- Frutas y verduras: limpie a fondo y coloque en un cajón especial. No guarde en el frigorífico productos como plátanos, patatas, cebollas y ajos, a menos que estén empacados.
- Mantequilla y queso: coloque en un recipiente hermético especial o envuelva o bolsas de polietileno para eliminar todo el aire posible.

## MANTENIMIENTO Y LIMPIEZA



**ADVERTENCIA!** Consulte los capítulos sobre seguridad.

### ADVERTENCIAS GENERALES



**PRECAUCIÓN!** Antes de realizar tareas de mantenimiento, desenchufe el aparato



Este aparato contiene hidrocarburos en la unidad de refrigeración por lo que cualquier tarea de mantenimiento o recarga debe ser realizada por personal técnico homologado.

- Botellas: cierre con un tapón y colóquelas en el estante para botellas de la puerta de la puerta o en el botellero (si dispone de él).

### CONSEJOS SOBRE LA CONGELACIÓN

- Congele solo alimentos de máxima calidad, frescos y perfectamente limpios.
- Para congelar y descongelar con más eficacia, divida la comida en porciones pequeñas.
- Envuelva los alimentos en aluminio o polietileno. Asegúrese de que los envases sean herméticos.
- Para evitar aumentos en la temperatura de comida ya congelada, no coloque comida no congelada justo al lado.
- Los alimentos magros se congelan mejor que los grasos. La sal reduce el tiempo de almacenamiento de los alimentos.
- No coma cubitos de hielo, sorbetes o helados inmediatamente después de sacarlos del congelador. Existe riesgo de quemaduras.
- Se recomienda etiquetar cada paquete con la fecha de congelación para controlar el tiempo de almacenamiento.

### CONSEJOS PARA EL ALMACENAMIENTO DE ALIMENTOS CONGELADOS

- Comprobar que el comerciante ha mantenido los productos congelados correctamente almacenados.
- Procurar que los alimentos congelados pasen de la tienda al congelador en el menor tiempo posible.
- los alimentos descongelados se deterioran con rapidez y no pueden congelarse de nuevo.
- No supere el tiempo de almacenamiento indicado por el fabricante de los alimentos.



Los accesorios y las piezas del aparato no deben lavarse en el lavavajillas.

### LIMPIEZA DEL INTERIOR

Antes de utilizar el aparato por primera vez, lave su interior y todos los accesorios internos con agua templada y jabón neutro para eliminar el típico olor de los productos nuevos. A continuación, seque todo bien.



**PRECAUCIÓN!** No utilice detergentes, polvos abrasivos ni limpiadores a base de cloro o aceite, ya que podrían dañar el acabado.

## LIMPIEZA PERIÓDICA



**PRECAUCIÓN!** No mueva, dañe ni tire de los conductos o cables del interior del aparato.



**PRECAUCIÓN!** No dañe el sistema de refrigeración.

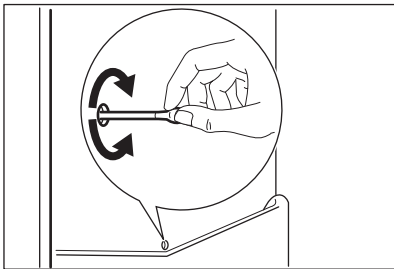
El equipo debe limpiarse de forma regular:

1. Limpie el interior y los accesorios con agua templada y un jabón neutro.
2. Revise y limpie periódicamente las juntas de la puerta para mantenerlas limpias y sin restos.
3. Aclare y seque a fondo.
4. Si se puede acceder, limpie el condensador y el compresor de la parte posterior del aparato con un cepillo.  
Así mejorará el rendimiento del aparato y reducirá el consumo eléctrico.

## DESCONGELACIÓN DEL FRIGORÍFICO

La escarcha se elimina automáticamente del evaporador del frigorífico cada vez que se detiene el compresor, durante el funcionamiento normal. El agua de la descongelación se descarga por un canal hacia un recipiente especial situado en la parte posterior del aparato, sobre el motor compresor, desde donde se evapora.

Es importante limpiar periódicamente el orificio de salida del agua de descongelación situado en la mitad del canal del compartimento frigorífico para evitar que el agua se desborde y caiga sobre los alimentos del interior.



## DESCONGELACIÓN DEL CONGELADOR



**PRECAUCIÓN!** No utilice herramientas metálicas afiladas para raspar la escarcha del evaporador, ya que podría dañarlo. No utilice dispositivos mecánicos ni medios artificiales para acelerar el proceso de descongelación, excepto los recomendados por el fabricante. El aumento de la temperatura de los paquetes de alimentos congelados durante la descongelación puede acortar su tiempo de almacenamiento.



Unas 12 horas antes de realizar la descongelación, ajuste una temperatura más baja con el fin de acumular frío suficiente para la interrupción del funcionamiento.

Siempre se forma un poco de escarcha en los estantes del congelador y en torno al compartimento superior.

Descongele el congelador cuando la capa de escarcha alcance un grosor de unos 3-5 mm.

1. Apague el aparato o desconecte el enchufe de la toma de corriente.
2. Retire los alimentos congelados, envuélvalos en varias hojas de papel de periódico y colóquelos en un sitio fresco.



**ADVERTENCIA!** No toque los alimentos congelados con las manos mojadas. Podrían congelarse al contacto con los alimentos.

3. Deje la puerta abierta.  
Para acelerar el proceso de descongelación, coloque un recipiente con agua tibia en el compartimento congelador. Además, retire los trozos de hielo que se desprendan antes de que finalice la descongelación.
4. Cuando la descongelación haya terminado, seque a fondo el interior del aparato.
5. Encienda el aparato.

Después de tres horas, vuelva a introducir en el compartimento congelador los alimentos retirados anteriormente.

## PERIODOS DE INACTIVIDAD

Si el aparato no se utiliza durante un tiempo prolongado, tome las siguientes precauciones:

1. Desconecte el aparato de la red eléctrica.
2. Extraiga todos los alimentos.
3. Descongele el aparato (si es necesario).

4. Limpie el aparato y todos los accesorios.
5. Deje la puerta o puertas abiertas para que no se produzcan olores desagradables.



**PRECAUCIÓN!** Si desea mantener el aparato encendido, procure que alguien lo vigile de vez en cuando para que los alimentos de su interior no se estropeen si se interrumpe el suministro eléctrico.

## SOLUCIÓN DE PROBLEMAS



**ADVERTENCIA!** Consulte los capítulos sobre seguridad.

### QUÉ HACER SI...

| Problema                             | Posible causa   | Solución  |
|--------------------------------------|---|---|
| El aparato no funciona.              | El aparato está apagado.  | Encienda el electrodoméstico.   |
|                                      | El aparato no está correctamente enchufado a la toma de corriente.    | Enchufe el aparato correctamente a la toma de corriente.  |
|                                      | No hay tensión en la toma de corriente.                               | Enchufe un aparato eléctrico diferente a la toma de corriente. Llame a un electricista cualificado. |
| El aparato hace ruido.               | El aparato no está bien apoyado en el suelo.                          | Compruebe que los soportes del aparato descansan sobre una superficie estable.                      |
| La bombilla no funciona.             | La bombilla está en espera.   | Cierre y abra la puerta.  |
|                                      | La bombilla es defectuosa.  | Consulte la sección "Cambio de la bombilla".  |
| El compresor funciona continuamente. | La temperatura está ajustada incorrectamente.                         | Consulte el capítulo de funcionamiento.   |
|                                      | Se han introducido numerosos alimentos para congelar al mismo tiempo. | Espere unas horas y vuelva a comprobar la temperatura.  |
|                                      | La temperatura ambiente es demasiado alta.                            | Consulte la tabla de clase climática en la placa de características.                                |
|                                      | Los alimentos introducidos en el aparato estaban demasiado calientes. | Deje que los alimentos se enfríen a temperatura ambiente antes de almacenarlos.                     |
|                                      | La puerta no está bien cerrada.                                       | Consulte la sección "Cierre de la puerta".  |

| <b>Problema</b>   | <b>Posible causa</b>   | <b>Solución</b>   |
|---|--|---|
| Hay demasiada escarcha o hielo.   | La puerta no se ha cerrado correctamente o la junta está deformada/sucia.  | Consulte la sección "Cierre de la puerta".  |
|   | El tapón de drenaje del agua no está bien colocado.  | Coloque el tapón de drenaje en la forma correcta.   |
|   | Los alimentos no están bien envueltos.   | Envuelva mejor los productos.   |
|   | La temperatura está ajustada incorrectamente.  | Consulte el capítulo de funcionamiento.   |
| El agua fluye por la placa posterior del frigorífico.                     | Durante el proceso de descongelación automática, la escarcha se derrite en la placa posterior.                   | Esto es correcto.   |
| El agua fluye al interior del frigorífico.                                | La salida de agua está obstruida.  | Limpie la salida de agua.   |
|   | Los productos impiden que el agua fluya al colector de agua.   | Asegúrese de que los alimentos no entran en contacto con la placa posterior.                      |
| Hay agua en el suelo.   | La salida de agua de la descongelación no está conectada a la bandeja de evaporación situada sobre el compresor. | Fije la salida de agua de descongelación a la bandeja de evaporación.                             |
| La temperatura del aparato es demasiado baja/alta.                        | El regulador de temperatura no se ha ajustado correctamente.   | Seleccione una temperatura más alta o baja.   |
|   | La puerta no está bien cerrada.  | Consulte la sección "Cierre de la puerta".  |
|   | La temperatura de los productos es demasiado alta.   | Deje que la temperatura de los productos descienda a la temperatura ambiente antes de guardarlos. |
|   | Se han guardado muchos alimentos al mismo tiempo.  | Guarde menos productos al mismo tiempo.   |
|   | El grosor de la escarcha es de más de 4-5 mm.  | Descongele el aparato.  |
|   | La puerta se ha abierto con frecuencia.  | Si es necesario, cierre la puerta.  |
|   | No hay circulación de aire frío en el aparato.   | Compruebe que el aire frío circula libremente en el aparato.                                      |
| Hay demasiada agua de condensación en la pared posterior del frigorífico. | La puerta se abre con demasiada frecuencia.  | Abra la puerta solo cuando sea necesario.   |

| Problema  | Posible causa  | Solución  |
|---|--|---|
|   | La puerta no se cierra completamente.  | Asegúrese de que la puerta está cerrada completamente.  |
|   | Los alimentos guardados no están envueltos correctamente.                                | Envuelva los alimentos correctamente antes de guardarlos en el aparato.                         |
| Hay escarcha en la pared posterior del frigorífico. | La temperatura ambiente es alta y el aparato está configurado a la temperatura más baja. | Ajuste el termostato en una temperatura más elevada para permitir la descongelación automática. |
|   | El aparato está completamente cargado y ajustado a la temperatura más baja.              | Ajuste el termostato en una temperatura más elevada para permitir la descongelación automática. |
| La puerta no se abre fácilmente.                    | Ha intentado volver a abrir la puerta inmediatamente después de cerrarla.                | Espere unos segundos entre el cierre y la reapertura de la puerta.                              |



Si el consejo anterior no ofrece resultados, llame al servicio técnico autorizado más cercano.

## CAMBIO DE LA BOMBILLA



El aparato está equipado con una luz LED interior de larga duración.



Recomendamos encarecidamente utilizar solo piezas de repuesto originales.

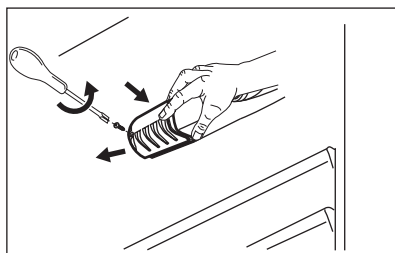


Utilice bombillas LED (rosca E14) solamente. La potencia máxima se indica en la unidad de la bombilla.



**PRECAUCIÓN!** Desenchufe el aparato de la toma de corriente.

1. Con un destornillador, retire el tornillo de la tapa de la bombilla.
2. Retire la tapa de la bombilla en el sentido que indican las flechas.



3. Cambie la bombilla por otra de las mismas características y diseñada específicamente para electrodomésticos.
4. Vuelva a colocar la tapa de la bombilla.
5. Apriete el tornillo de la tapa de la bombilla.
6. Enchufe el aparato a la toma de corriente.
7. Abra la puerta.  
Compruebe que la bombilla se enciende.

## CIERRE DE LA PUERTA

1. Limpie las juntas de la puerta.
2. Si es necesario, ajuste la puerta. Consulte las instrucciones de montaje.
3. Si es necesario, cambie las juntas defectuosas.  
Póngase en contacto con el servicio técnico autorizado.

# DATOS TÉCNICOS

## FICHA DE INFORMACIÓN DEL PRODUCTO

|  |                           |
|--|---------------------------|
| Marca registrada   | Zanussi                   |
| Modelo   | ZRT27101WA 920241 103     |
| Categoría  | 7. Frigorífico-Congelador |
| Clase de eficiencia energética   | A+                        |
| Consumo de energía en kWh/año, según los resultados obtenidos en la prueba estándar de 24 horas. El consumo de energía real depende de las condiciones de uso del aparato y de su localización | 240                       |
| Volumen útil en litros, refrigerador   | 209                       |
| Volumen útil en litros, estrellas  | -                         |
| Volumen útil en litros, zona de bodega   | -                         |
| Volumen útil en litros, vino   | -                         |
| Volumen útil en litros, total  | 259                       |
| Volumen útil en litros, congelador   | 50                        |
| Volumen útil en litros, enfriador  | -                         |
| Volumen útil en litros, otros compartimentos   | -                         |
| Clasificación por estrellas del compartimento del congelador con el volumen útil más alto (l)  | ****                      |
| Temperatura de diseño de otros compartimentos > 14 °C (°C), si acaso   | -                         |
| Libre de escarcha (S/N), refrigerador  | No                        |
| Libre de escarcha (S/N), congelador  | No                        |
| Autonomía en h   | 20                        |
| Capacidad de congelación en kg/24h   | 4                         |
| Clase climática  | SN-N-ST                   |
| Temperatura mínima ambiente a la que este aparato está destinado a ser utilizado, en °C  | 10                        |
| Temperatura máxima ambiente a la que este aparato está destinado a ser utilizado, en °C  | 38                        |
| Emissiones de ruido acústico dB(A) re1 pW  | 40                        |
| Aparato encastrado S/N   | No                        |
| Aparato destinado a utilizarse exclusivamente para la conservación de vinos S/N  | No                        |


## DATOS TÉCNICOS ADICIONALES


| Medidas del aparato |         |
|---------------------|---------|
| Alto                | 1590 mm |
| Ancho               | 545 mm  |
| Fondo               | 604 mm  |

|            |             |
|------------|-------------|
| Voltaje    | 230 - 240 V |
| Frecuencia | 50 Hz       |

La información técnica se encuentra en la placa de datos técnicos situada en el lado exterior o interior del aparato, y en la etiqueta de consumo energético.

## ASPECTOS MEDIOAMBIENTALES

Recicle los materiales con el símbolo . Coloque el material de embalaje en los contenedores adecuados para su reciclaje. Ayude a proteger el medio ambiente y la salud pública, así como a reciclar residuos de aparatos eléctricos y electrónicos. No deseche los aparatos marcados

con el símbolo  junto con los residuos domésticos. Lleve el producto a su centro de reciclaje local o póngase en contacto con su oficina municipal.

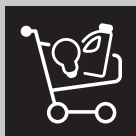








[WWW.ZANUSSI.COM/SHOP](http://WWW.ZANUSSI.COM/SHOP)



CE

212002097-A-292019